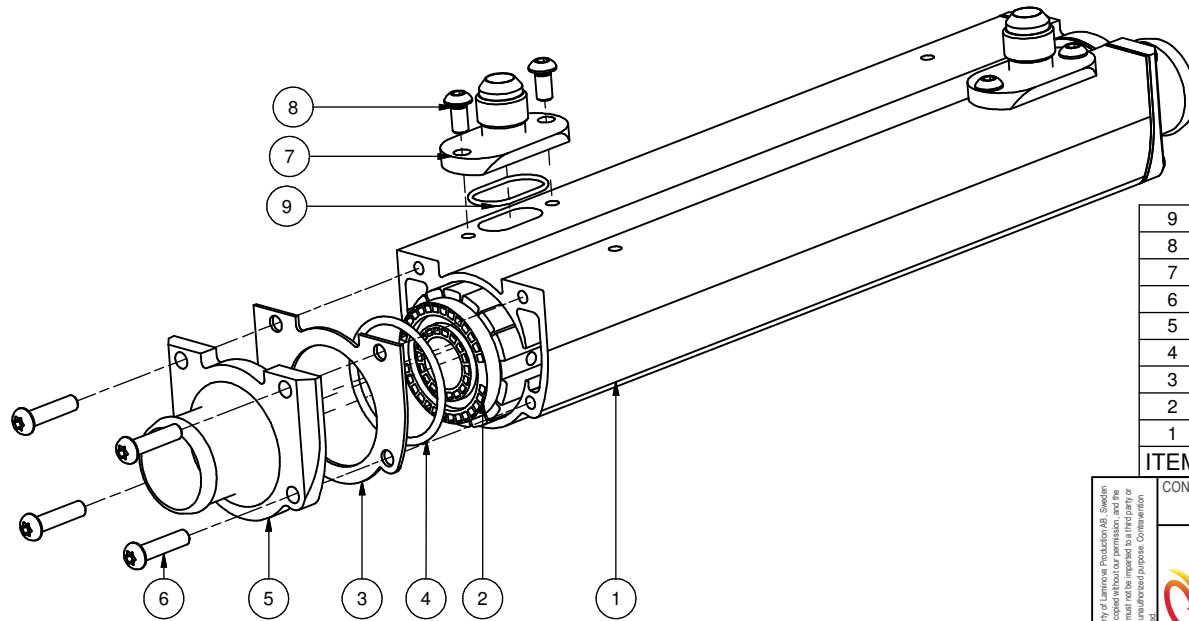
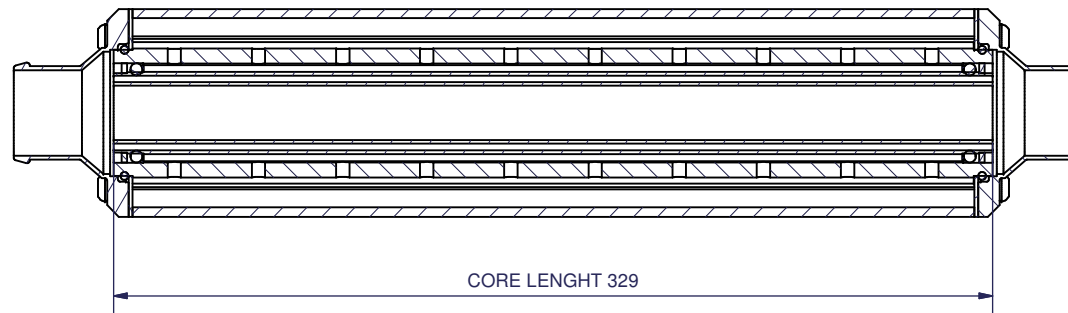
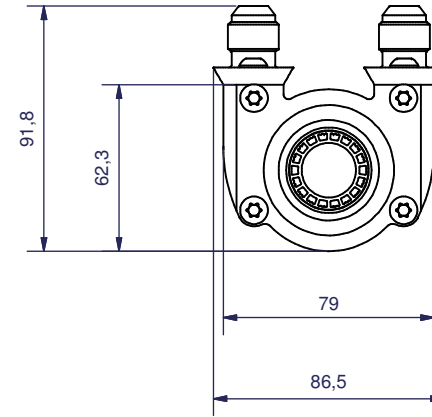
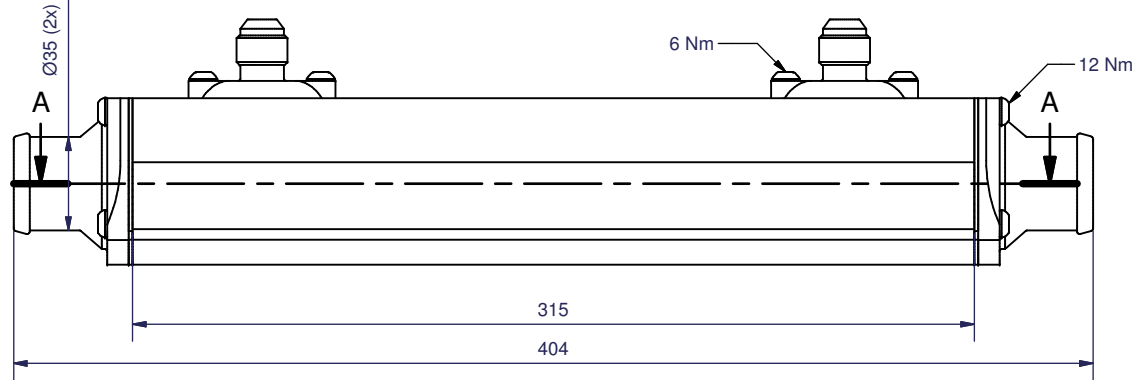



TOLERANCE UNLESS SPECIFIED ARE ISO 2769-mk  
 SURFACE UNLESS SPECIFIED ARE 3.2



ITEM	REQ	TITLE	PART NUMBER	DESCRIPTION
9	2	O-RING	SL00083A	ø26,7x1,78 FPM
8	4	SCREW	TB00135A	BN 6404 KTS M6x12
7	2	OIL CONNECTION	OC00078A	EC54 JIC 8
6	8	SCREW	TB00134A	BN 6404 KTS M6x25
5	2	WATER CONNECTION	WC00177A	EC54 ø35
4	2	O-RING	SL00084A	44,2x3 HNBR
3	2	GASKET	SL00081D	EC54
2	1	CORE ASSEMBLY	CA00012A	D54-329 (STANDARD)
1	1	HOUSING	HS00138G	EC54-315

This is the property of Laminova Production AB. Swedish and must not be copied without our permission, and the contents thereof must not be imparted to a third party or used in any way for reproduction or other purposes. Copyright will be protected.	CONSTR	DRAWN BY RH	CHECKED	APPROVED	TITLE	SCALE 1:2	DATE 2011-05-10
	 <b>LAMINOVA</b> <small>OPCON Group</small>					<b>OIL COOLER</b>	
						DESCRIPTION ECD54-329 WCØ35 OC-JIC8	
							MATERIAL DRAWING NO <b>SA00479A</b>