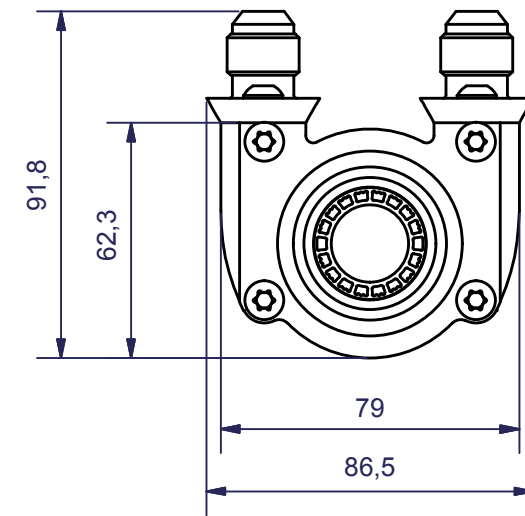
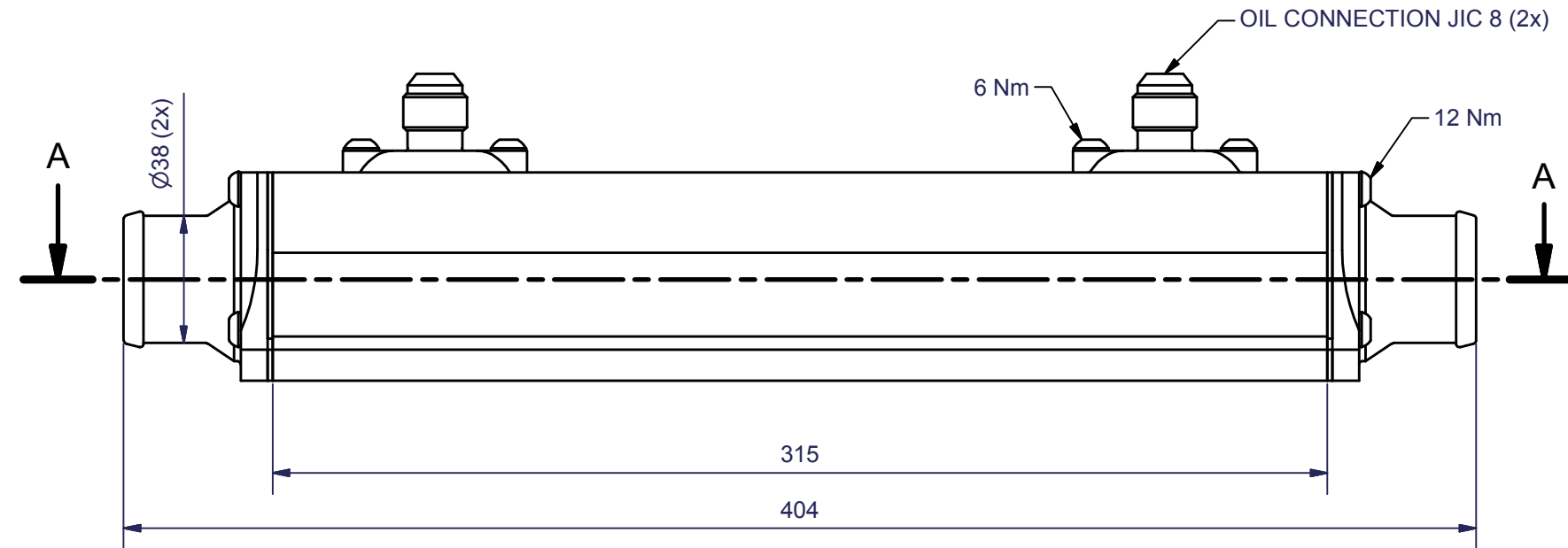
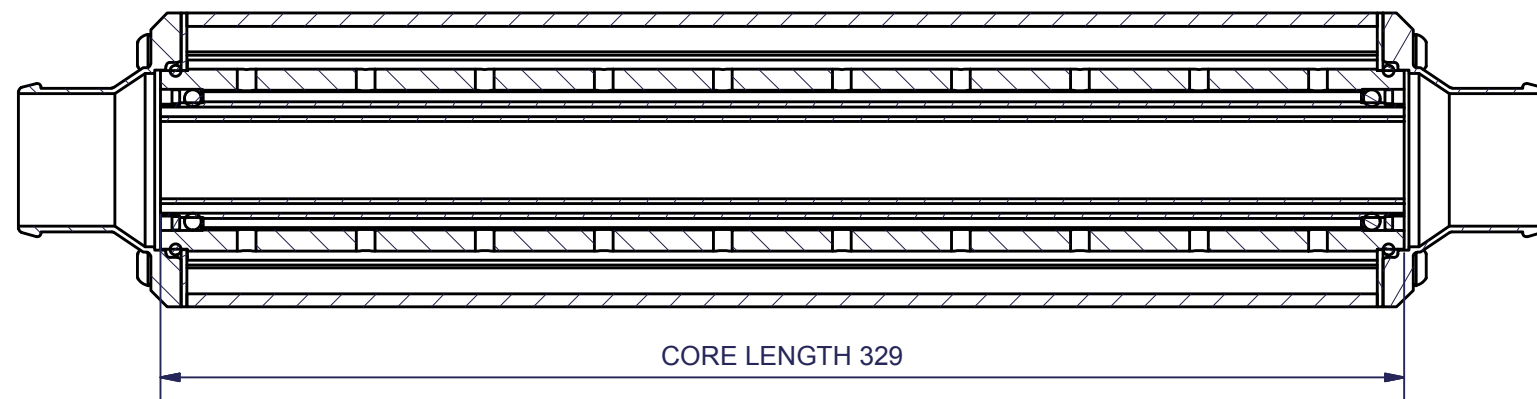


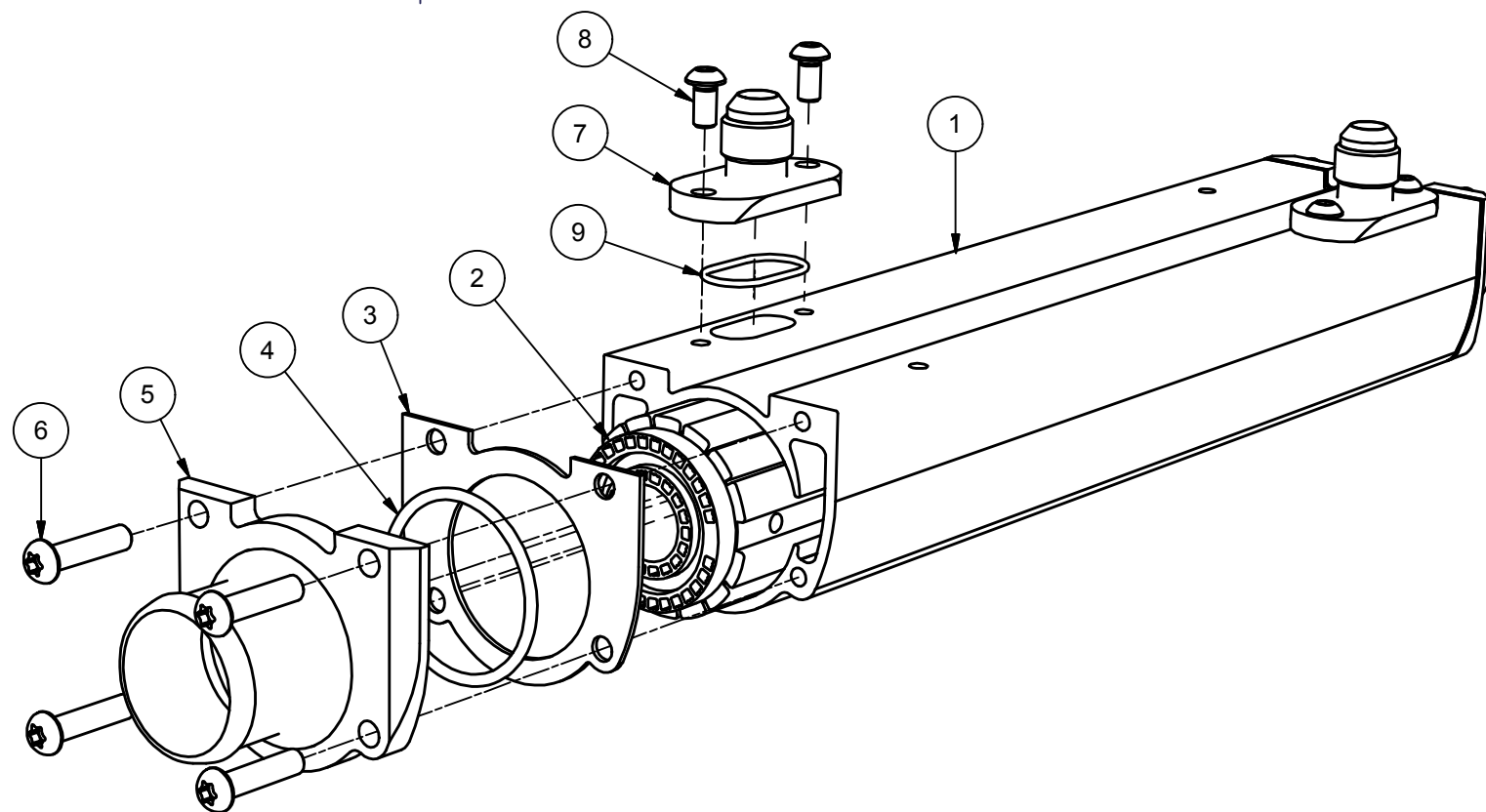
TOLERANCE UNLESS SPECIFIED ARE ISO 2768-mK




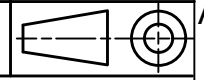
A-A (1/2)



SURFACE UNLESS SPECIFIED ARE 3,2



ITEM	REQ	TITLE	PART NUMBER	DESCRIPTION
9	2	O-RING	SL00083A	ø26,7x1,78 FPM
8	4	SCREW	TB00135A	BN 6404 KTS M6x12
7	2	OIL CONNECTION	OC00078A	EC54 JIC 8
6	8	SCREW	TB00134A	BN 6404 KTS M6x25
5	2	WATER CONNECTION	WC00179A	EC54 ø38
4	2	O-RING	SL00084A	44,2x3 HNBR
3	2	GASKET	SL00081D	EC54
2	1	CORE ASSEMBLY	CA00012A	D54-329 (STANDARD)
1	1	HOUSING	HS00138G	EC54-315

This is the property of Laminova Production AB, Sweden and must not be copied, without our permission, and the contents thereof must not be imparted to a third party or be used for any unauthorized purpose. Contravention will be prosecuted.	CONSTR	DRAWN BY PL	CHECKED	APPROVED	TITLE	SCALE 1:2	DATE 2011-05-03	
	 LAMINOVA OPCON Group					OIL COOLER	REVISION A	
						DESCRIPTION ECD54-329 WCø38 OC-JIC8	MATERIAL	
						DRAWING NO SA00478A		