

6 | 5 | 4 | 3 | 2 | 1

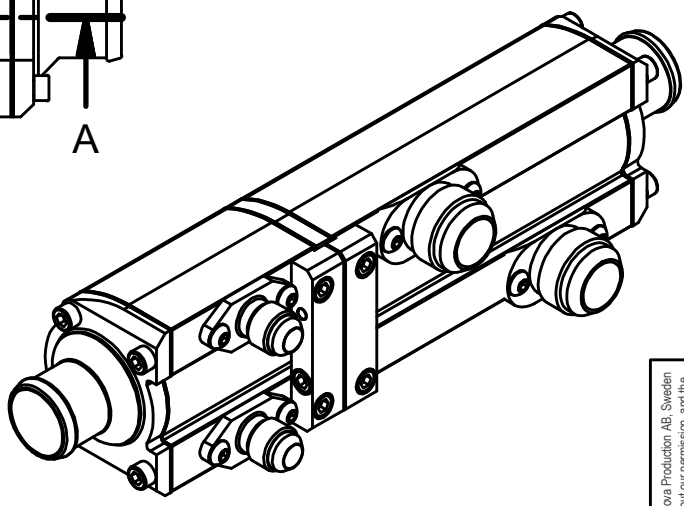
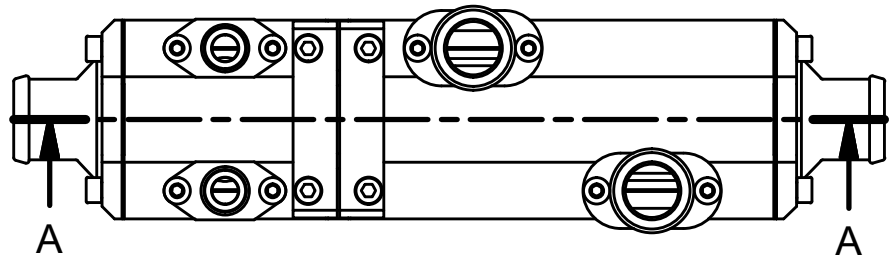
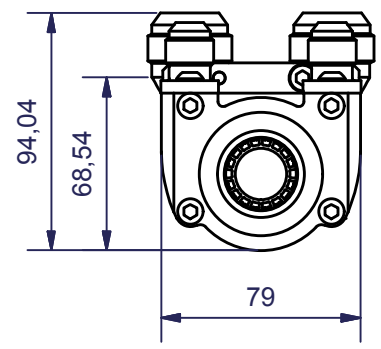
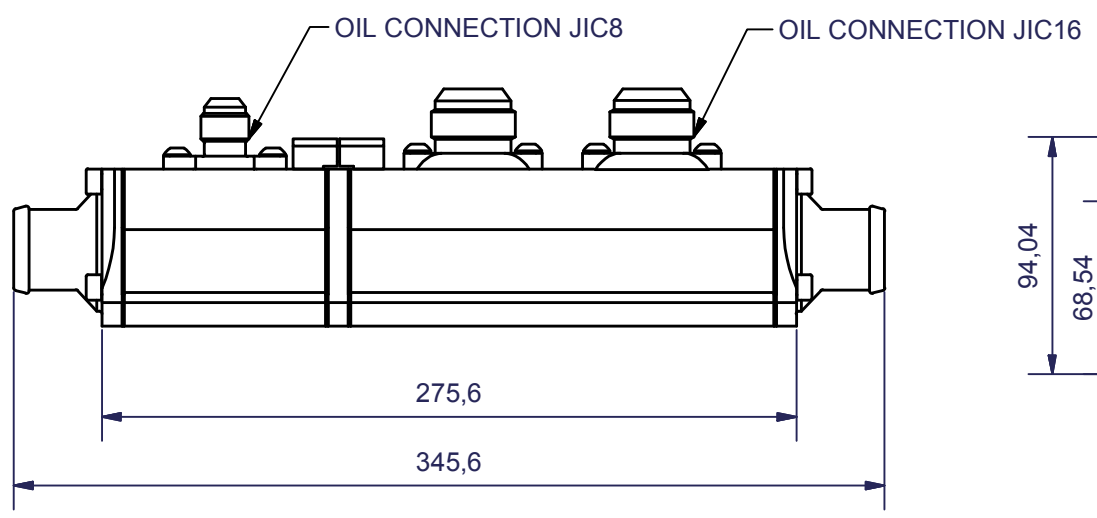
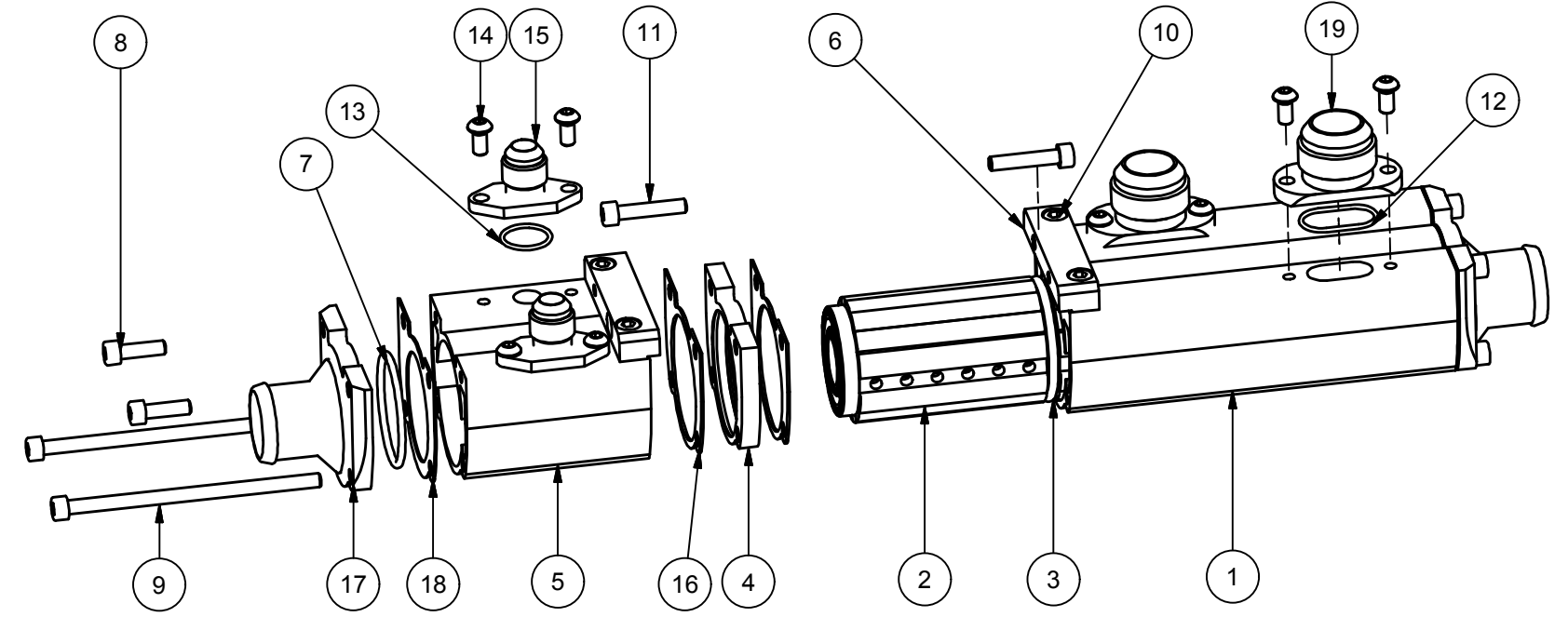
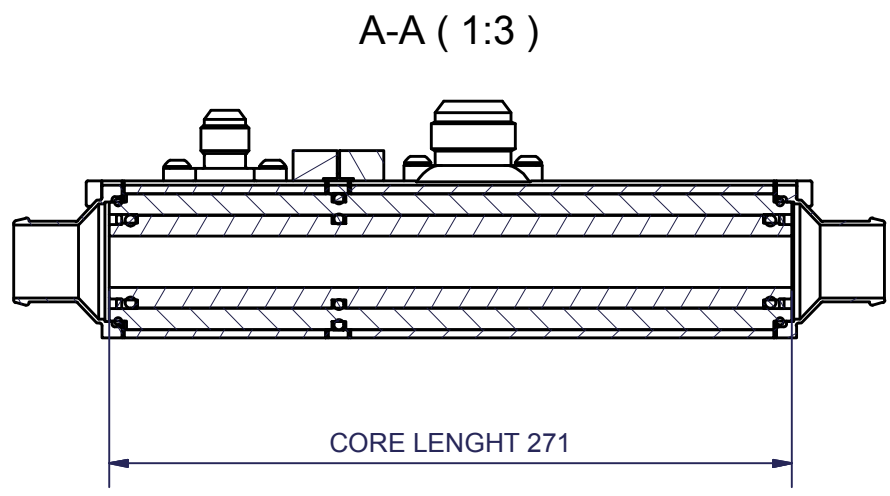
D | D

C | C

B | B

A | A

6 | 5 | 4 | 3 | 2 | 1



19	2	OIL CONNECTION	OC00055C	EC54 JIC 16
18	2	GASKET	SL00081C	EC54
17	2	WATER CONNECTION	WC00156A	EC54 ø32
16	2	GASKET	SL00101B	EC54 SPECIAL COMBINED UNIT
15	2	OIL CONNECTION	OC00065A	JIC 8
14	8	SCREW	TB00267A	ISO 7380 KTS 8.8 FZB M6x12
13	2	O-RING	SL00039A	18,77x1,78 FPM
12	2	O-RING	SL00083A	ø26,7x1,78 FPM
11	2		ISO 4762 - M6 x 30	Hexagon Socket Head Cap Screw
10	4		ISO 4762 - M6 x 12	Hexagon Socket Head Cap Screw
9	2		ISO 4762 - M6x110	Hexagon Socket Head Cap Screw
8	6		ISO 4762 - M6 x 20	Hexagon Socket Head Cap Screw
7	2	O-RING	SL00084A	44,2x3 HNBR
6	2	BRACKET	TB00191C	
5	1	HOUSING	HS00160A	EC54-80 Combined unit
4	1	MEDIUM PLATE	TB00190C	
3	1	O-RING	SL00067A	ø46x4 FPM
2	1	CORE ASSEMBLY	CA00036A	D54-271 Combined
1	1	HOUSING	HS00164A	EC54-168 Combined unit
ITEM	REQ	TITLE	PART NUMBER	DESCRIPTION

<small>This is the property of Laminova Production AB, Sweden and must not be copied, without our permission, and the contents thereof must not be imparted to a third party or be used for any unauthorized purpose. Contravention will be prosecuted.</small>	CONSTR	DRAWN BY	CHECKED	APPROVED	TITLE	SCALE	DATE
		Robert				OIL COOLER	1:2
	DESCRIPTION				ECD54-271 Combined Special	REVISION	
						MATERIAL	
						DRAWING NO	SA00471A