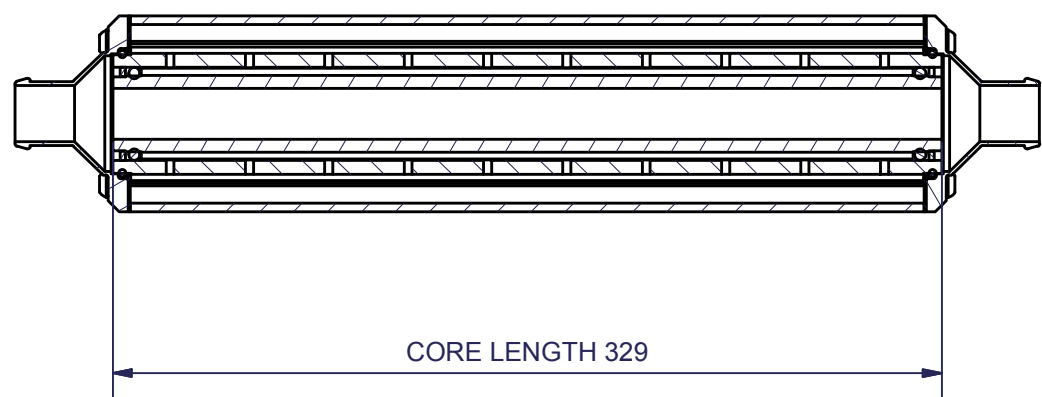
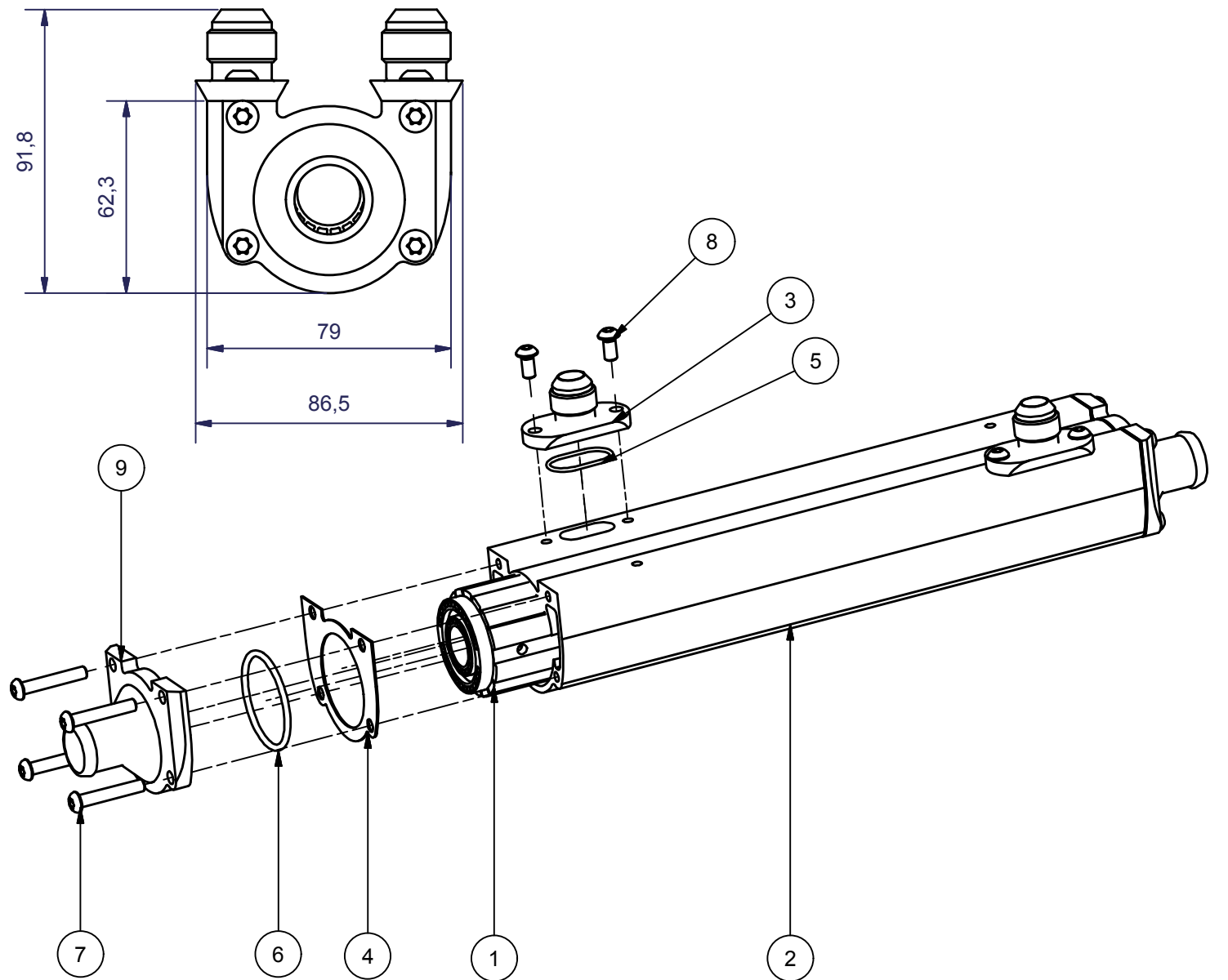
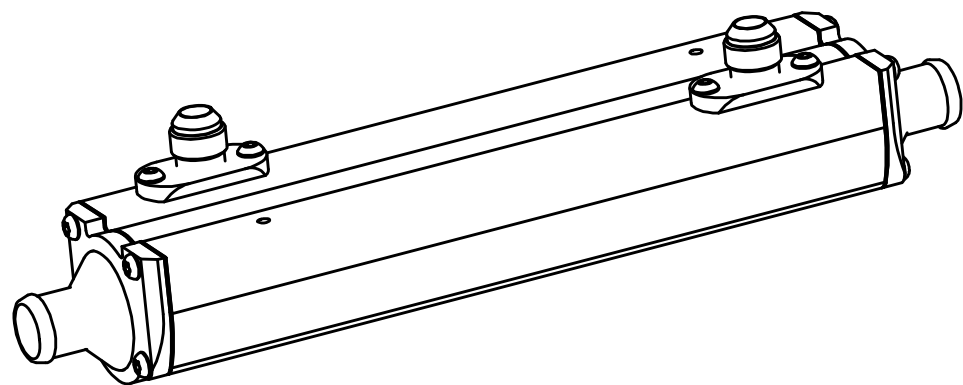



A-A



CORE LENGTH 329



9	2	WATER CONNECTION	WC00180A	EC54 \varnothing 25,4 (1")
8	4	SCREW	TB00267A	ISO 7380 KTS 8.8 FZB M6x12
7	8	SCREW	TB00266A	ISO 7380 KTS 8.8 FZB M6x25
6	2	O-RING	SL00084A	44,2x3 HNBR
5	2	O-RING	SL00083A	\varnothing 26,7x1,78 FPM
4	2	GASKET	SL00081C	EC54
3	2	OIL CONNECTION	OC00070A	EC 54 JIC 10
2	1	HOUSING	HS00138G	EC54-315
1	1	CORE ASSEMBLY	CA00012A	D54-329 (STANDARD)
ITEM	REQ	TITLE	PART NUMBER	DESCRIPTION

This is the property of Laminova Production AB, Sweden and must not be copied, without our permission, and the contents thereof must not be imparted to a third party or be used for any unauthorized purpose. Contravention will be prosecuted.	CONSTR	DRAWN BY	CHECKED	APPROVED	TITLE	SCALE	DATE
		RH				OIL COOLER	1:2
						DESCRIPTION	REVISION
ECD 54-329							A
						MATERIAL	
						DRAWING NO	
						SA00470A	