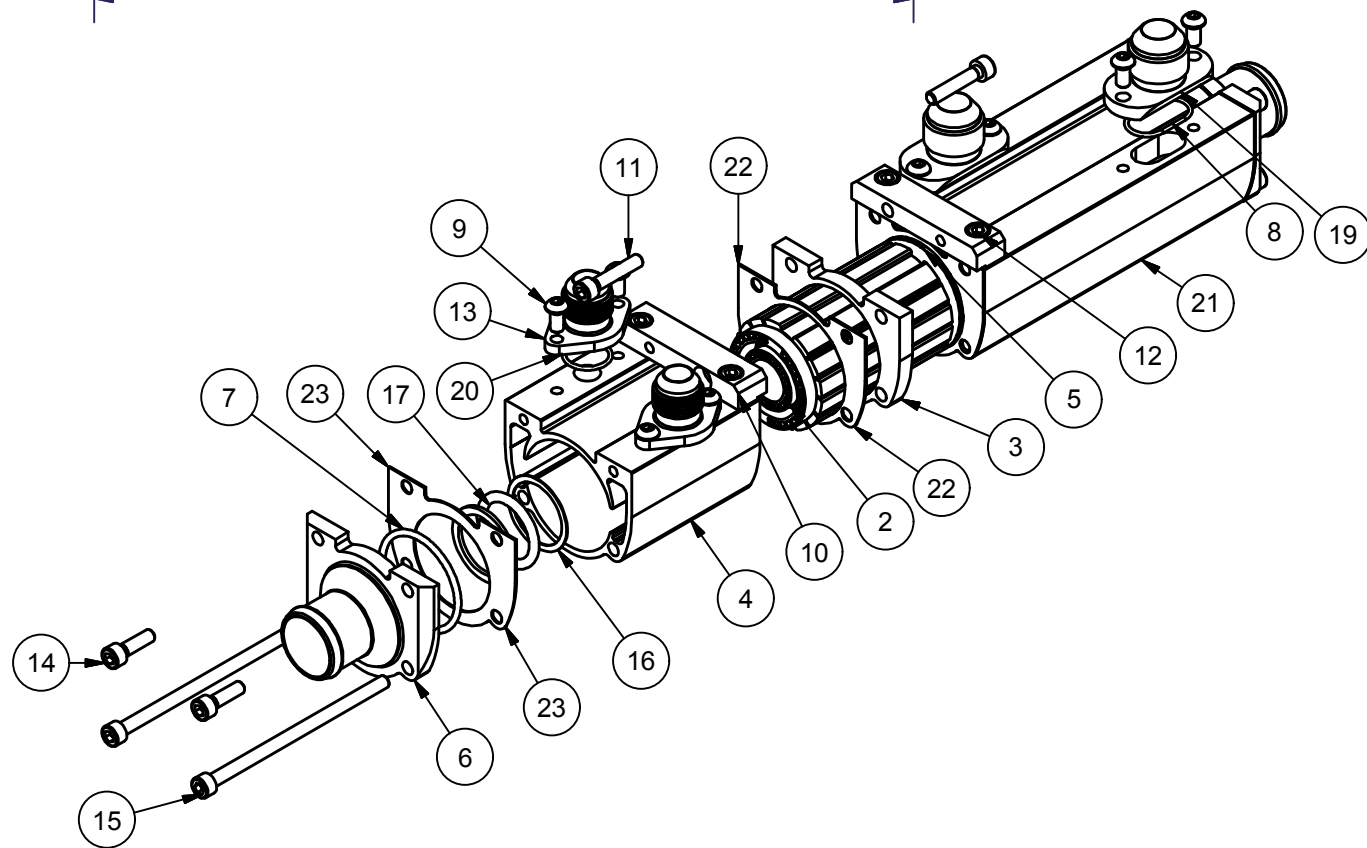
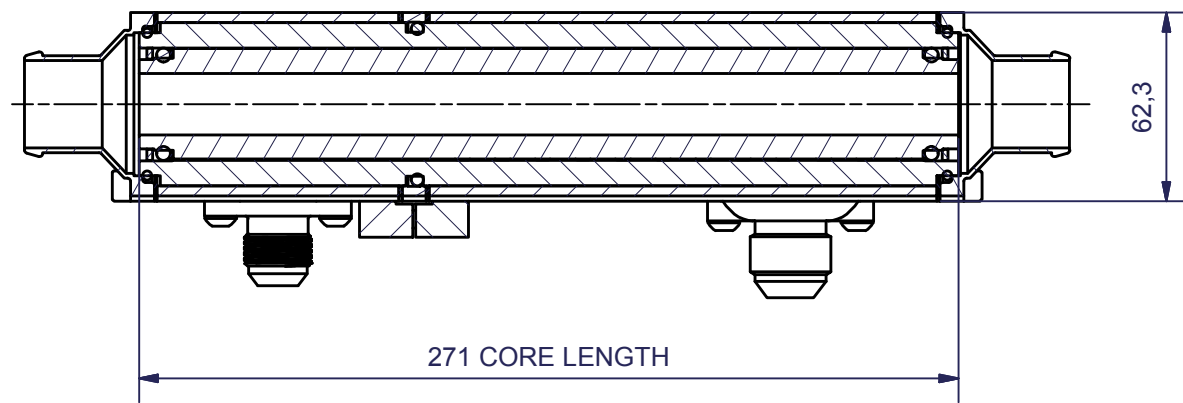


A-A (0,40 : 1)



23	2	GASKET	SL00081C	EC54
22	2	GASKET	SL00101B	EC54 SPECIAL COMBINED UNIT
21	1	HOUSING	HS00164A	EC54-168 Combined unit
20	2	O-RING	SL00039A	18,77x1,78 FPM
19	2	OIL CONNECTION	OC00060B	EC 54 JIC 12
18	2	END RING	TB00090D	29,8/37,1/2
17	2	O-RING	SL00061A	ø28,1x4,5 HNBR
16	2	SUPPORT RING	TB00092B	ø30,8/ø36,8/0,5
15	2		ISO 4762 - M6x110	Hexagon Socket Head Cap Screw
14	6		ISO 4762 - M6x20	Hexagon Socket Head Cap Screw
13	2	OIL CONNECTION	OC00001A	JIC 10
12	4		ISO 4762 - M6x12	Hexagon Socket Head Cap Screw
11	2		ISO 4762 - M6x30	Hexagon Socket Head Cap Screw
10	2	BRACKET	TB00191C	
9	8	SCREW	TB00135A	BN 6404 KTS M6x12
8	2	O-RING	SL00083A	ø26,7x1,78 FPM
7	2	O-RING	SL00084A	44,2x3 HNBR
6	2	WATER CONNECTION	WC00156A	EC54 ø32
5	1	O-RING	SL00067A	ø46x4 FPM
4	1	HOUSING	HS00160A	EC54-80 Combined unit
3	1	MEDIUM PLATE	TB00190C	
2	1	CORE	CR00175A	D37-271 TÄT/TIGHT
1	1	CORE	CR00174A	D54-271 Combined
ITEM	REQD	TITLE	PART NUMBER	DESCRIPTION

This is the property of Laminova Production AB, Sweden and must not be copied without our permission, and the contents thereof must not be imparted to a third party or be used for any unauthorized purpose. Contravention will be prosecuted.

CONSTR  
Uif

DRAWN BY  
Uif L

CHECKED  
RH

TITLE  
**OIL COOLER**

DESCRIPTION  
ECD 54-271 Combined Unit

**Laminova**  
Heat Exchanger Systems

SCALE  
1:2

DATE  
2010-04-26

REVISION  
A

MATERIAL

DRAWING NO  
**SA00465A**