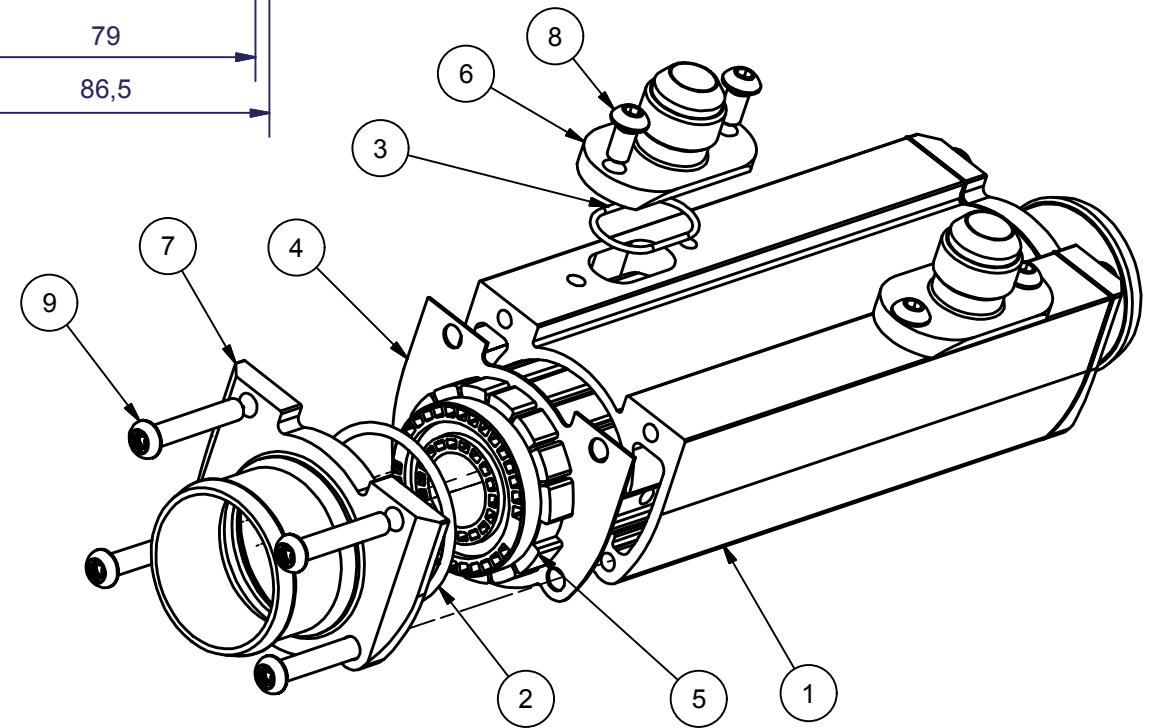
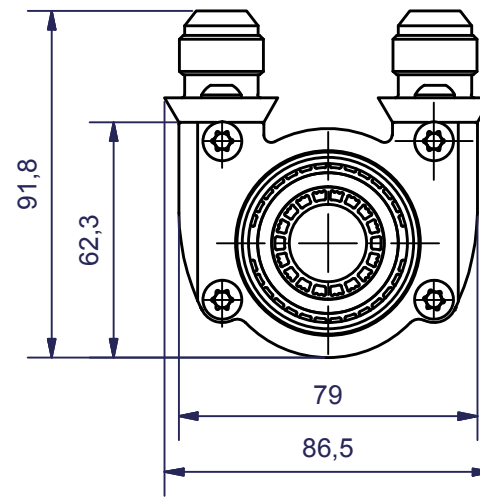
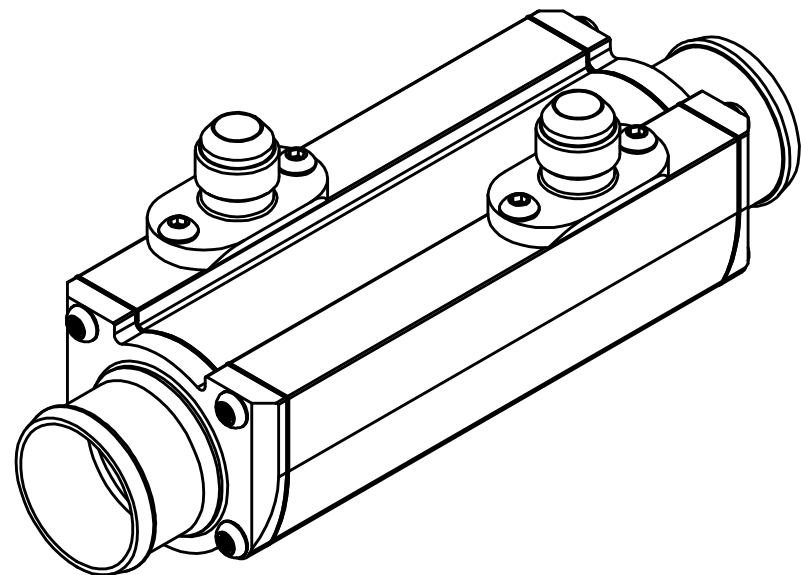
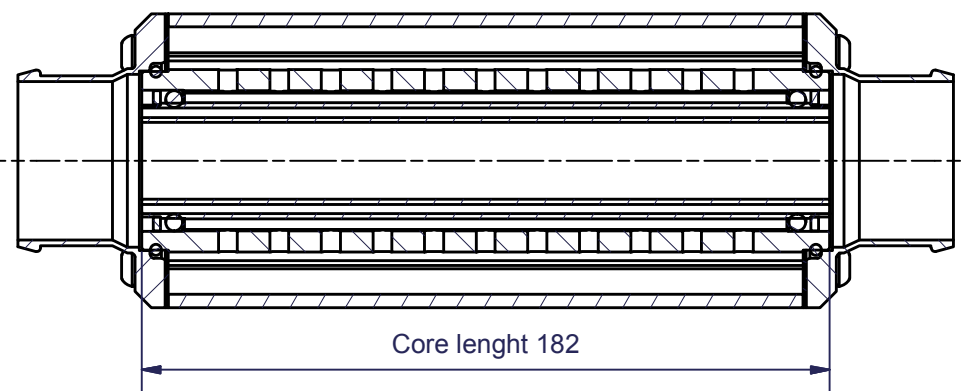

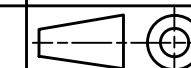


A-A



9	8	SCREW	TB00266A	ISO 7380 KTS 8.8 FZB M6x25
8	4	SCREW	TB00267A	ISO 7380 KTS 8.8 FZB M6x12
7	2	WATER CONNECTION	WC00134C	EC54 Ø45
6	2	OIL CONNECTION	OC00070A	EC 54 JIC 10
5	1	CORE ASSEMBLY	CA00064A	D54-182, STANDARD INNER
4	2	GASKET	SL00081C	EC54
3	2	O-RING	SL00083A	Ø26,7x1,78 FPM
2	2	O-RING	SL00084A	44,2x3 HNBR
1	1	HOUSING	HS00157A	EC54-168
ITEM	REQD	TITLE	PART NUMBER	DESCRIPTION

This is the property of Laminova Production AB, Sweden and must not be copied without our permission, and the contents thereof must not be imparted to a third party or be used for any unauthorized purpose. Contravention will be prosecuted.	CONSTR	DRAWN BY	CHECKED	TITLE		SCALE	DATE	
	Uif	Uif	RH			1:2	2010-04-07	
					OIL COOLER		REVISION	
					DESCRIPTION		MATERIAL	
				ECD 54-182, OC-JIC10, WC-Ø45		DRAWING NO		
						SA00463A		