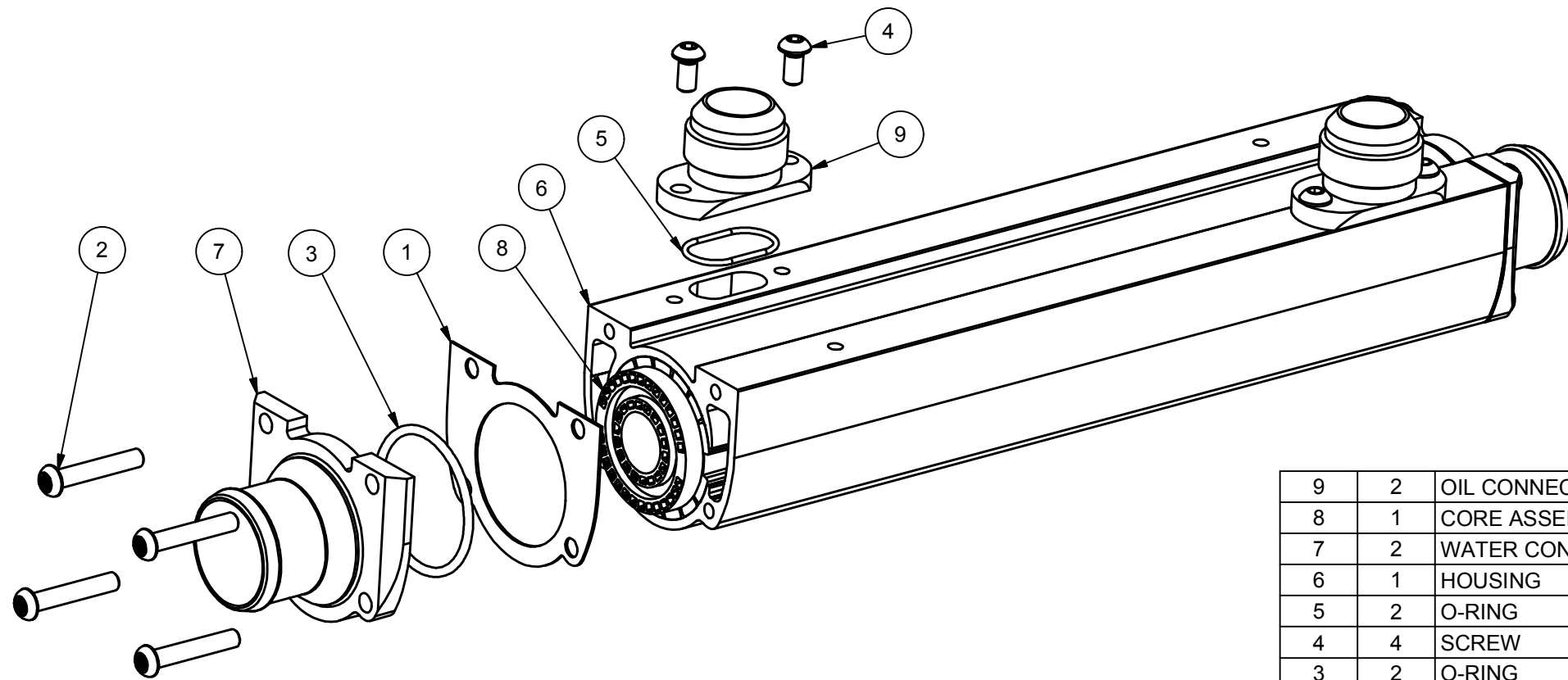
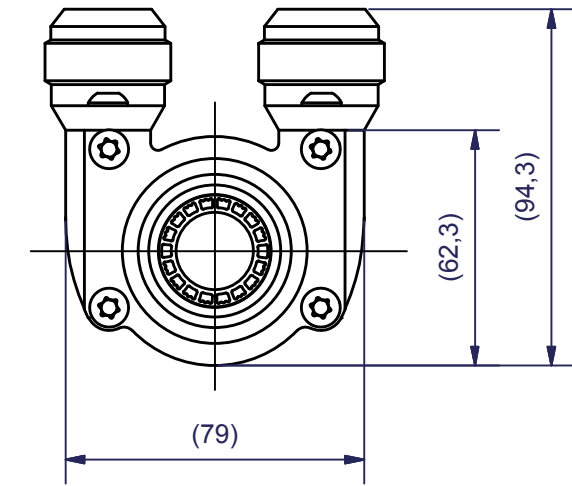
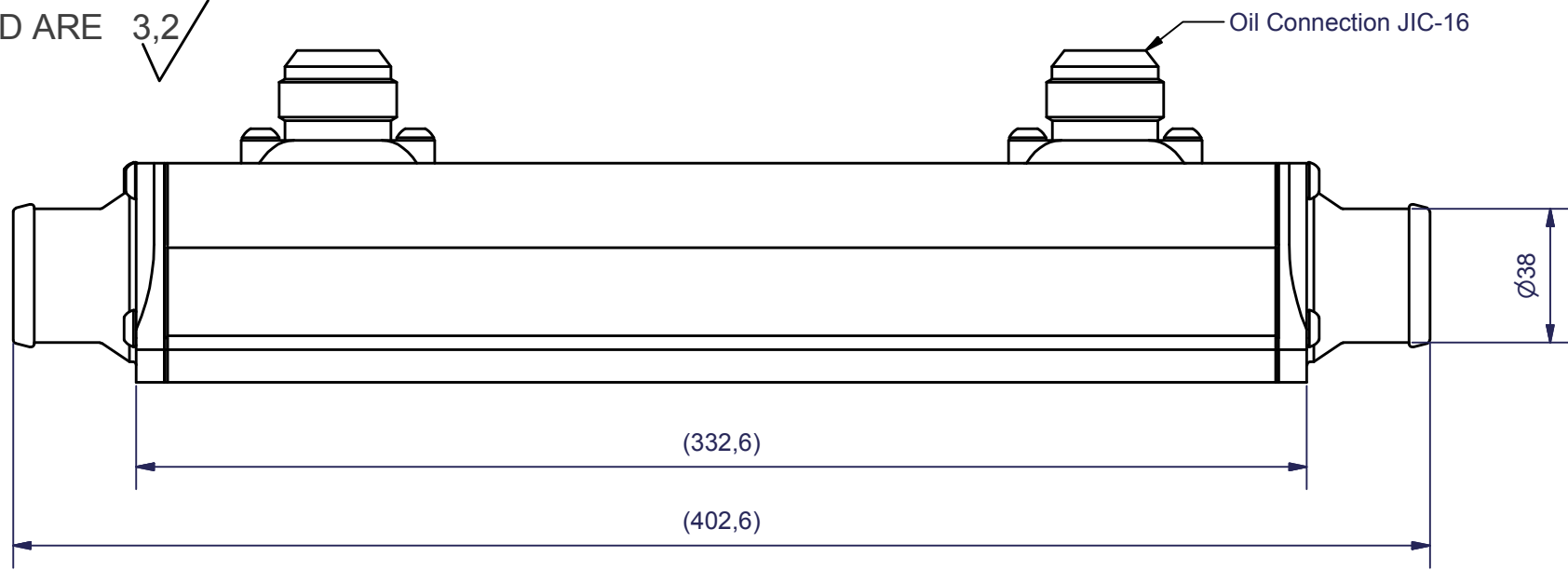


SHARP EDGES BROKEN

TOLERANCE UNLESS SPECIFIED ARE ISO 2768-mK

SURFACE UNLESS SPECIFIED ARE 3,2/



9	2	OIL CONNECTION	OC00055C	EC54 JIC 16
8	1	CORE ASSEMBLY	CA00012A	D54-329 (STANDARD)
7	2	WATER CONNECTION	WC00179A	EC54 Ø38
6	1	HOUSING	HS00138G	EC54-315
5	2	O-RING	SL00083A	Ø26,7x1,78 FPM
4	4	SCREW	TB00267A	ISO 7380 KTS 8.8 FZB M6x12
3	2	O-RING	SL00084A	44,2x3 HNBR
2	8	SCREW	TB00266A	ISO 7380 KTS 8.8 FZB M6x25
1	2	GASKET	SL00081C	EC54
ITEM	REQ	TITLE	PART NUMBER	DESCRIPTION

This is the property of Laminova Production AB, Sweden and must not be copied without our permission, and the contents thereof must not be imparted to a third party or be used for any unauthorized purpose. Contravention will be prosecuted.	CONSTR	DRAWN BY	CHECKED	TITLE		SCALE	DATE	
	Mattias	UL	RH			OIL COOLER		1:1 A3
					DESCRIPTION		REVISION	
							ECD54-329, OC-JIC16, WC-Ø38	
						MATERIAL	DRAWING NO	
								SA00460A