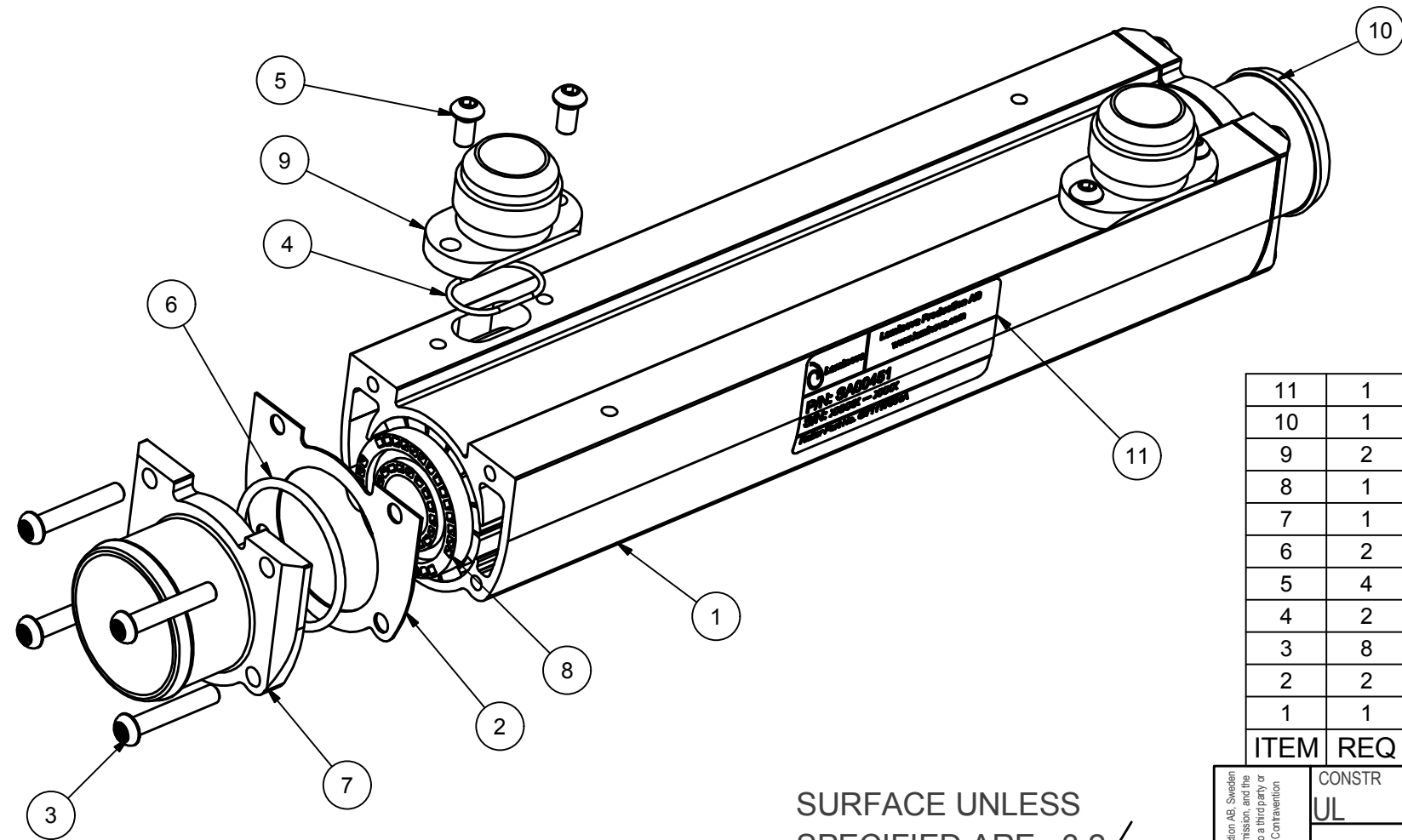
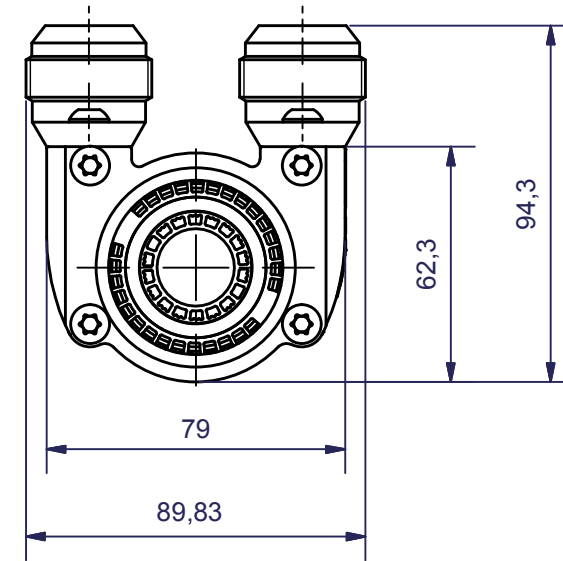
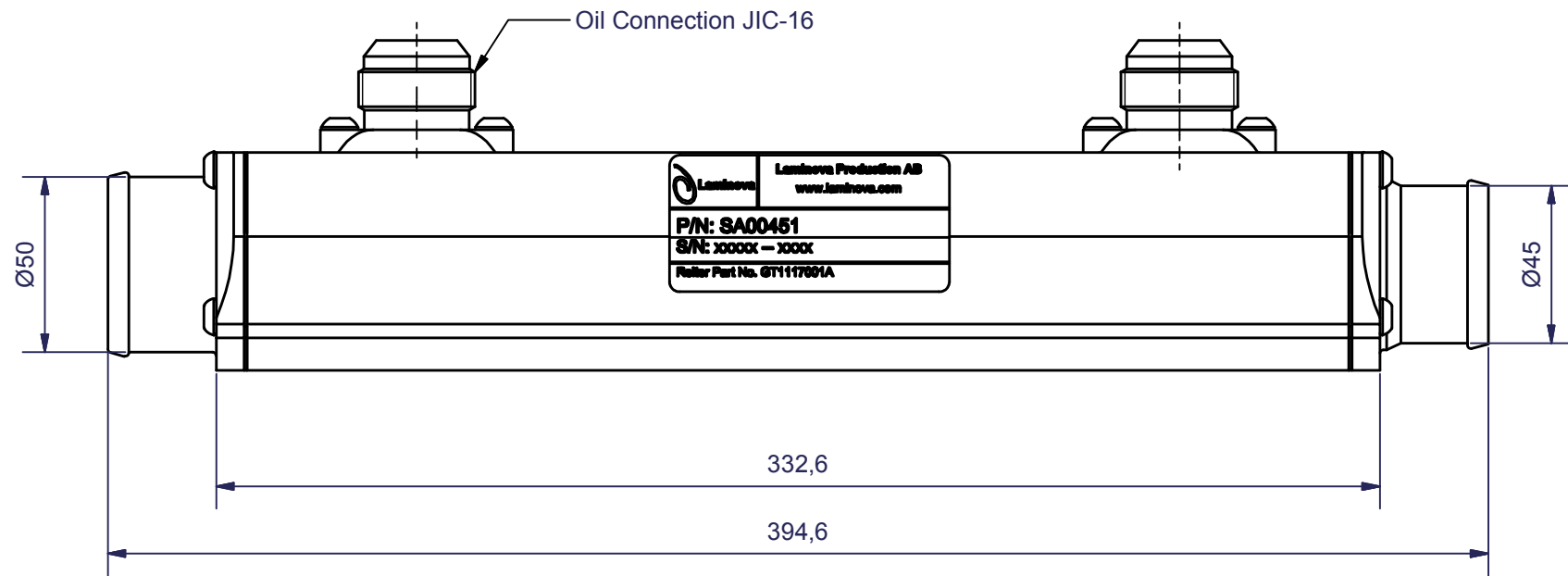


TOLERANCE UNLESS SPECIFIED ARE ISO 2768-mK



Reiter Engineering Part No: GT1117001A

11	1	LABEL	TB00278A	SA00451
10	1	WATER CONNECTION	WC00134C	EC54 Ø45
9	2	OIL CONNECTION	OC00055C	EC54 JIC 16
8	1	CORE ASSEMBLY	CA00012A	D54-329 (STANDARD)
7	1	WATER CONNECTION	WC00172B	EC54 Ø50
6	2	O-RING	SL00084A	44,2x3 HNBR
5	4	SCREW	TB00267A	ISO 7380 KTS 8.8 FZB M6x12
4	2	O-RING	SL00083A	Ø26,7x1,78 FPM
3	8	SCREW	TB00266A	ISO 7380 KTS 8.8 FZB M6x25
2	2	GASKET	SL00081C	EC54
1	1	HOUSING	HS00138G	EC54-315
ITEM	REQ	TITLE	PART NUMBER	DESCRIPTION

SURFACE UNLESS SPECIFIED ARE 3,2

<small>This is the property of Laminova Production AB, Sweden and must not be copied without our permission, and the contents thereof must not be imparted to a third party or be used for any unauthorized purpose. Contravention will be prosecuted.</small>	CONSTR	DRAWN BY	CHECKED	TITLE	SCALE	DATE
	UL	UL	RH		OIL COOLER	1:2
					DESCRIPTION	REVISION
				ECD54-329 OC JIC-16, WC Ø45/Ø50	MATERIAL	
					DRAWING NO	
					SA00451A	