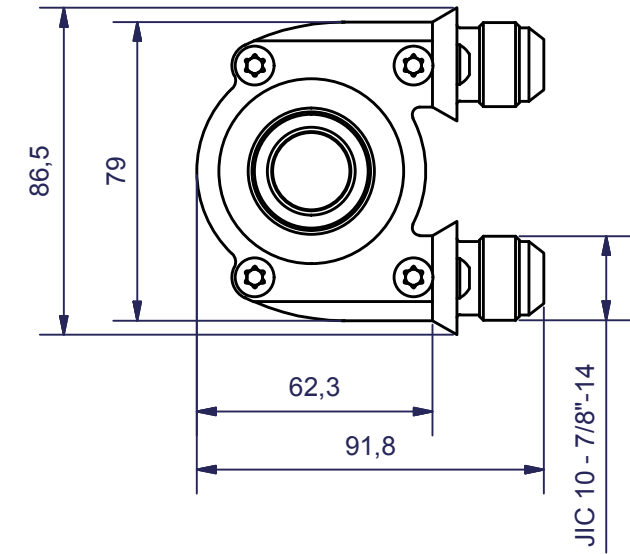
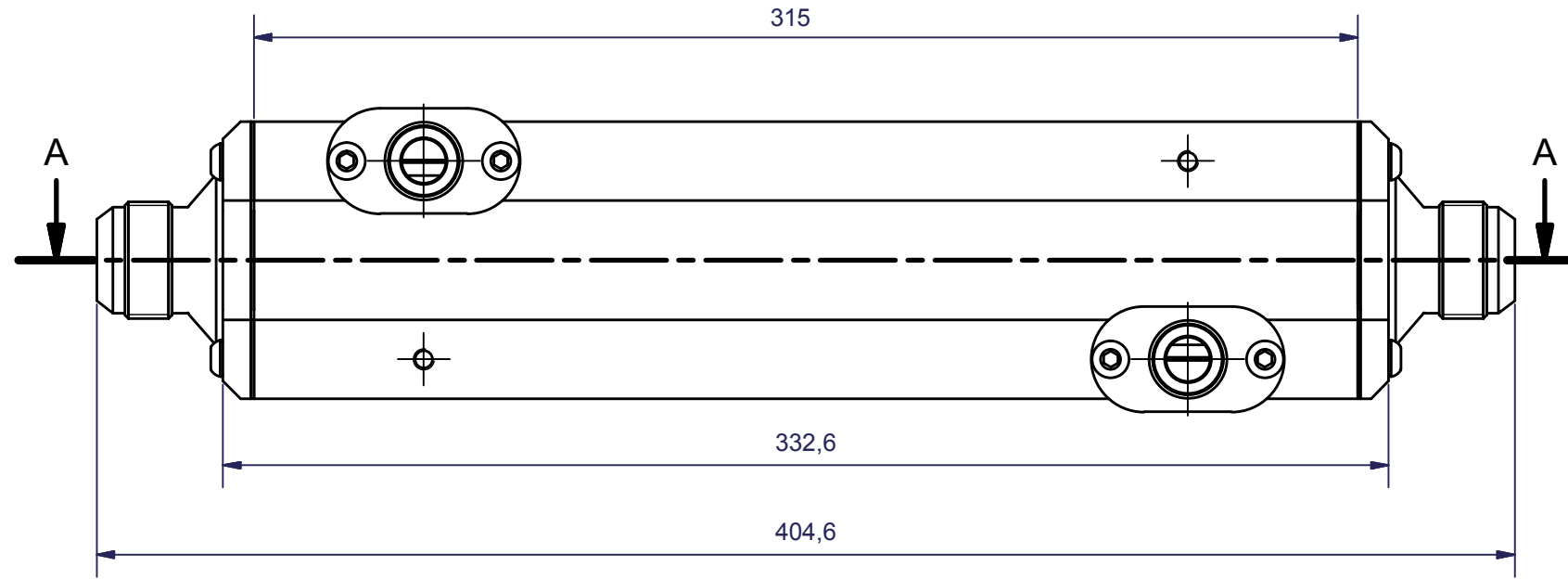
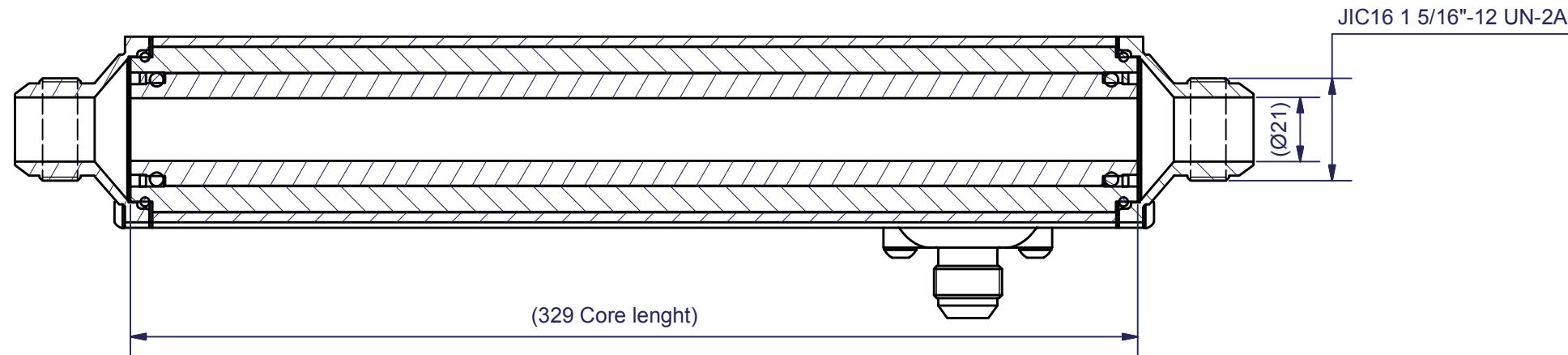


TOLERANCE UNLESS SPECIFIED ARE ISO 2768-mK

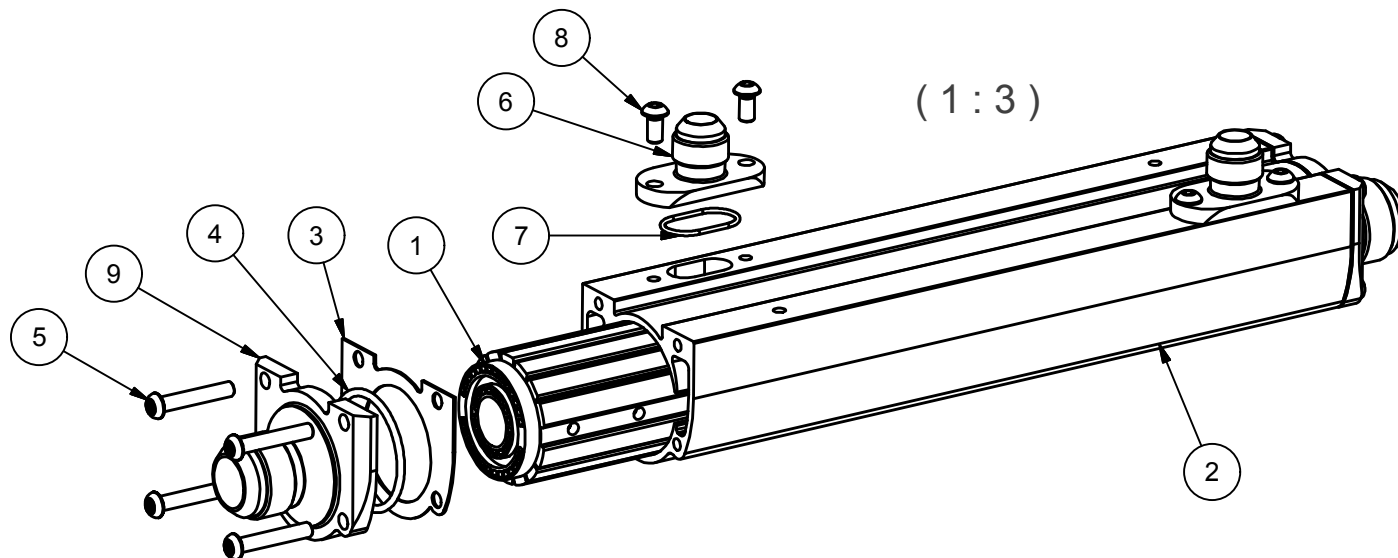
SURFACE UNLESS SPECIFIED ARE 3,2



A-A



SHARP EDGES BROKEN



9	2	WATER CONNECTION	WC00183A	EC54 JIC16
8	4	SCREW	TB00267A	ISO 7380 KTS 8.8 FZB M6x12
7	2	O-RING	SL00083A	ø26,7x1,78 FPM
6	2	OIL CONNECTION	OC00070A	EC 54 JIC 10
5	8	SCREW	TB00266A	ISO 7380 KTS 8.8 FZB M6x25
4	2	O-RING	SL00084A	44,2x3 HNBR
3	2	GASKET	SL00081C	EC54
2	1	HOUSING	HS00138E	EC54-315
1	1	CORE ASSEMBLY	CA00012A	D54-329
ITEM	REQD	TITLE	PART NUMBER	DESCRIPTION

This is the property of Laminova Production AB, Sweden and must not be copied without our permission, and the contents thereof must not be imparted to a third party or be used for any unauthorized purpose. Contravention will be prosecuted.	CONSTR	DRAWN BY	CHECKED	TITLE	SCALE	DATE
	Uif	Uif	RH		OIL COOLER	1:1
					DESCRIPTION	REVISION
ECD54-329 WC-JIC16 OC-JIC10					A	
					MATERIAL	DRAWING NO