

Oil Connection JIC12

A

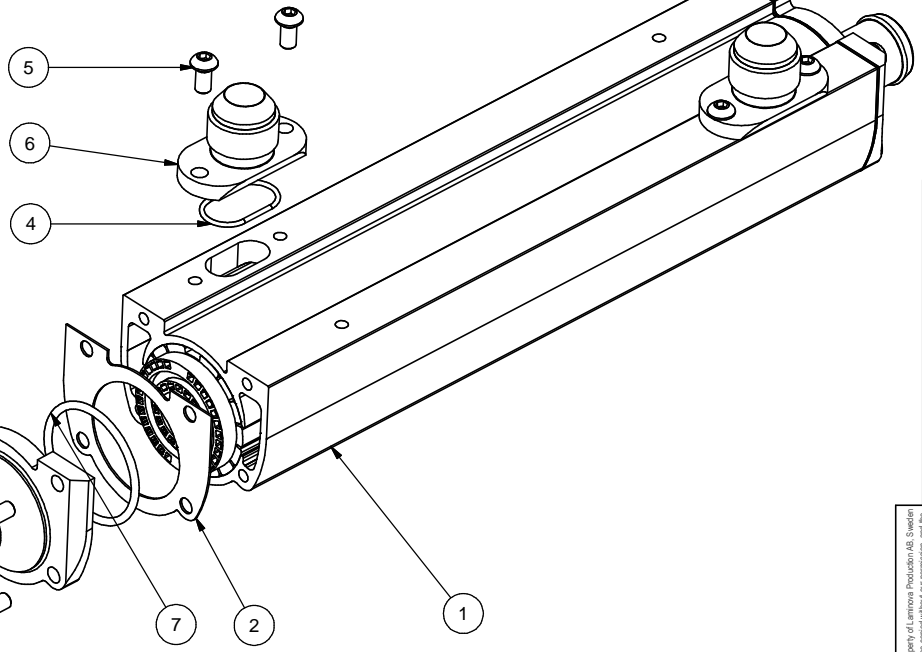
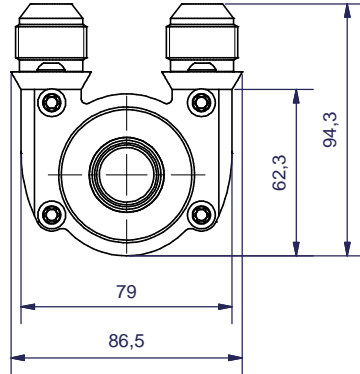
A

315

332,6

406,6

A-A



ITEM	REQ	TITLE	PART NUMBER	DESCRIPTION
9	1	CORE ASSEMBLY	CA00012A	D54-329 (STANDARD FINNED INNER CORE)
8	2	WATER CONNECTION	WC00180A	EC54 \varnothing 25,4 (1")
7	2	O-RING	SL00084A	44,2x3 HNBR
6	2	OIL CONNECTION	OC00060B	EC 54 JIC 12
5	4	SCREW	TB00135A	BN 6404 KTS M6x12
4	2	O-RING	SL00083A	\varnothing 26,7x1,78 FPM
3	8	SCREW	TB00134A	BN 6404 KTS M6x25
2	2	GASKET	SL00081C	EC54
1	1	HOUSING	HS00138G	EC54-315

<small>This is the property of Laminova Production AB. Swedens copyright laws apply. This drawing and its contents may not be reproduced, stored in a retrieval system or used for any unauthorized purpose. Consequence will be prosecuted.</small>	CONSTR	DRAWN BY	CHECKED	TITLE	SCALE	DATE
		UL		OIL COOLER	1:2	2008-09-09
	DESCRIPTION				REVISION	
	ECD54-329				MATERIAL	
					DRAWING NO	
					SA00435A	