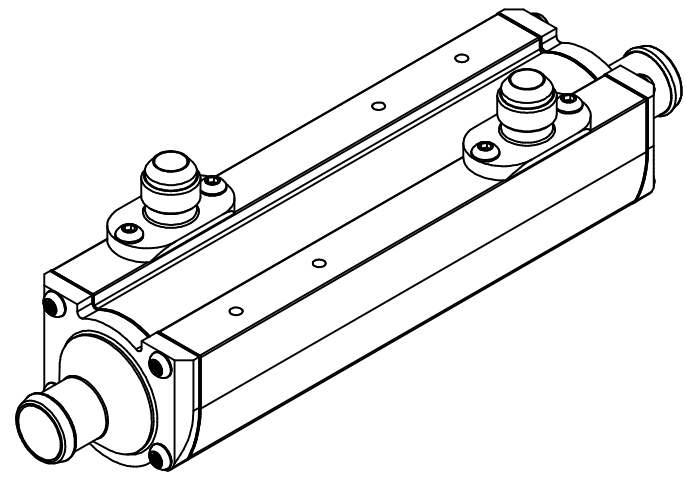
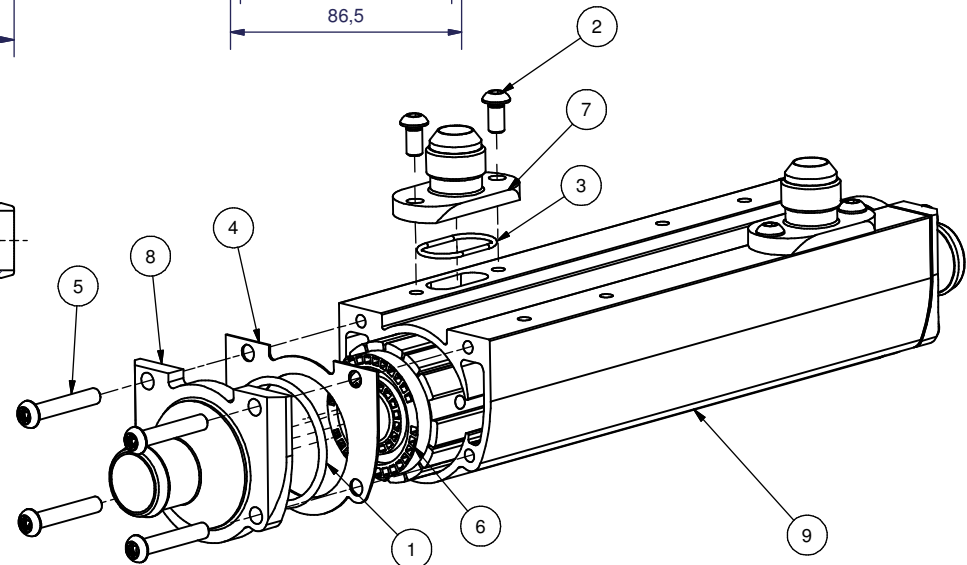
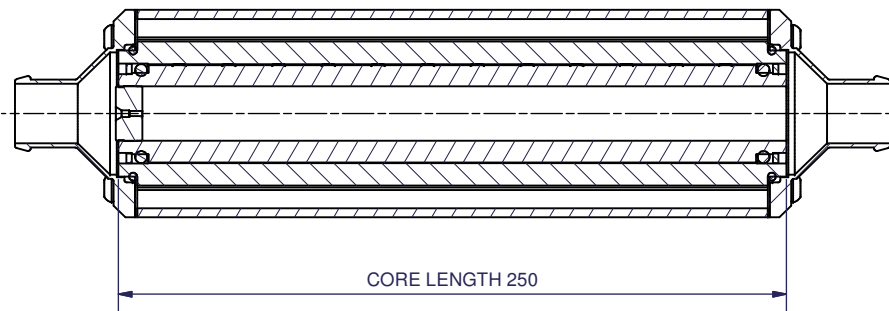


A-A



ITEM	REQD	TITLE	PART NUMBER	DESCRIPTION
9	1	HOUSING	HS00188A	EC54-236
8	2	WATER CONNECTION	WC00180A	EC54 ø25,4 (1")
7	2	OIL CONNECTION	OC00070A	EC 54 JIC 10
6	1	CORE ASSEMBLY	CA00086A	D54-250P, STANDARD INNER
5	8	SCREW	TB00266A	ISO 7380 KTS 8.8 FZB M6x25
4	2	GASKET	SL00081C	EC54
3	2	O-RING	SL00083A	ø26,7x1,78 FPM
2	4	SCREW	TB00267A	ISO 7380 KTS 8.8 FZB M6x12
1	2	O-RING	SL00084A	44,2x3 HNBR

This is the property of Laminova Production AB. Swedish and must not be copied without our permission, and the contents thereof must not be imparted to a third party or used in any way for advertising or promotional purposes. Copyright © Laminova AB.	CONSTR	DRAWN BY MA	CHECKED	APPROVED	TITLE OIL COOLER	SCALE 1:2	DATE 2008-03-11	
						DESCRIPTION ECD 54-250P, STANDARD INNER	MATERIAL	
						DRAWING NO SA00426		