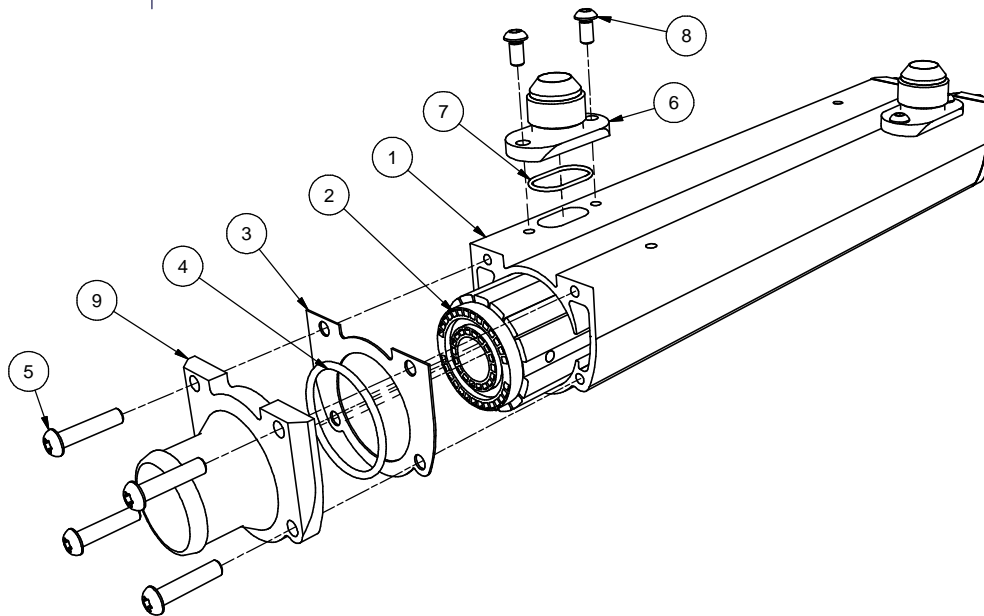
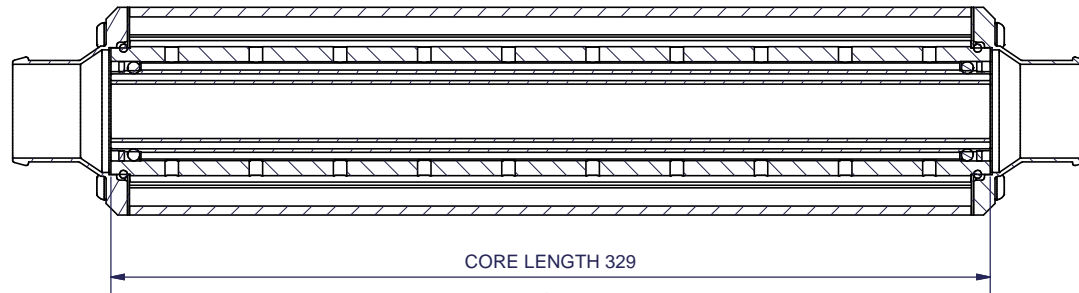


A-A



ITEM	REQD	TITLE	PART NUMBER	DESCRIPTION
9	2	WATER CONNECTION	WC00179A	EC54 ø38
8	4	SCREW	TB00135A	BN 6404 KTS M6x12
7	2	O-RING	SL00083A	ø26,7x1,78 FPM
6	2	OIL CONNECTION	OC00060B	EC 54 JIC 12
5	8	SCREW	TB00134A	BN 6404 KTS M6x25
4	2	O-RING	SL00084A	44,2x3 HNBR
3	2	GASKET	SL00081C	EC54
2	1	CORE ASSEMBLY	CA00012A	D54-329 (STANDARD FINNED INNER CORE)
1	1	HOUSING	HS00138G	EC54-315

This is the property of Laminova Production AB. Sweden. The drawing is not to be reproduced, stored in a retrieval system or transmitted in any form or by any means, electronic, mechanical, photocopying, recording, or by any information storage and retrieval system, without the prior written permission of Laminova Production AB.	CONSTR	DRAWN BY	CHECKED	TITLE	SCALE	DATE
		mattias	UL	OIL COOLER	1:2	2006-01-26
					REVISION	
					A	
DESCRIPTION					MATERIAL	
ECD54-329 WCØ38 OC-JIC12					DRAWING NO SA00414A	