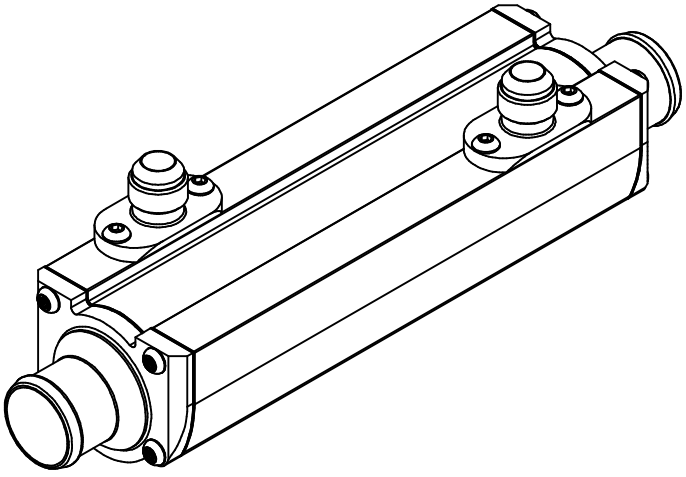
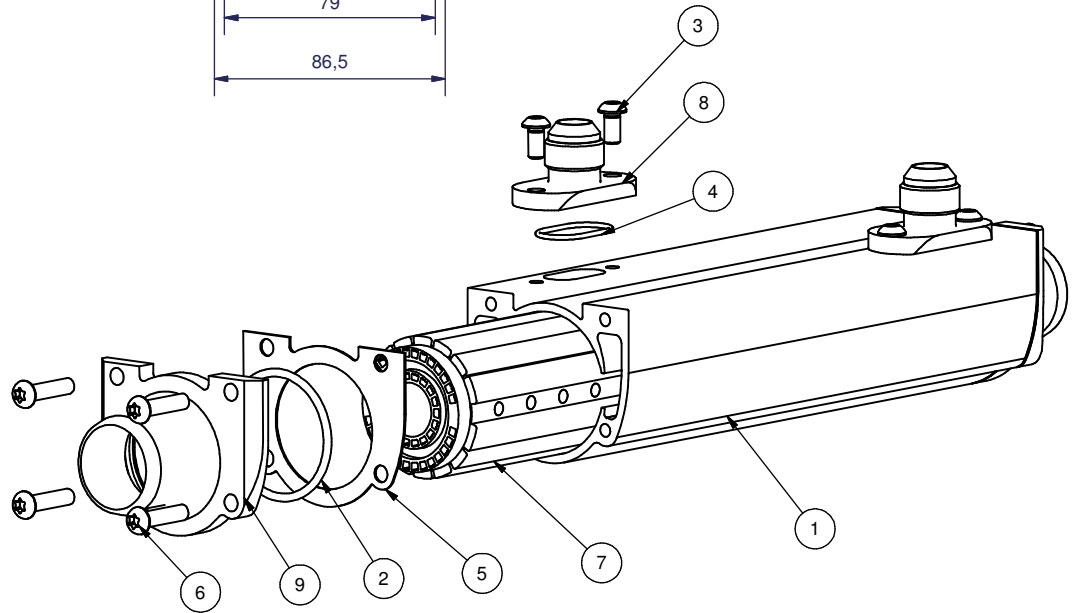
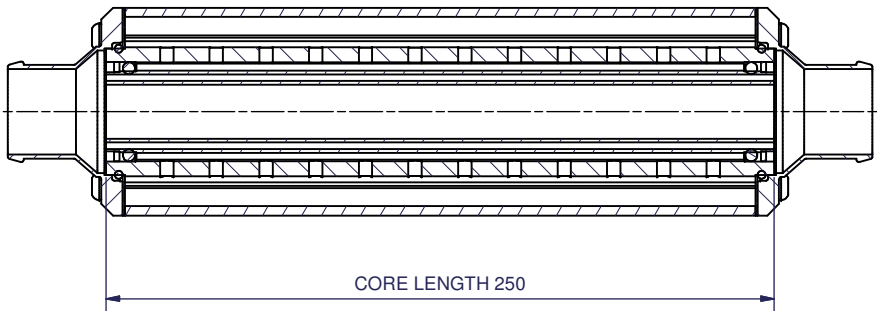


A-A



ITEM	REQD	TITLE	PART NUMBER	DESCRIPTION
9	2	WATER CONNECTION	WC00177A	EC54 ø35
8	2	OIL CONNECTION	OC00070A	EC 54 JIC 10
7	1	CORE ASSEMBLY	CA00065A	D54-250, STANDARD INNER
6	8	SCREW	TB00134A	BN 6404 KTS M6x25
5	2	GASKET	SL00081C	EC54
4	2	O-RING	SL00083A	ø26,7x1,78 FPM
3	4	SCREW	TB00135A	BN 6404 KTS M6x12
2	2	O-RING	SL00084A	44,2x3 HNBR
1	1	HOUSING	HS00152A	EC54-236

This is the property of Laminova Production AB. Selection of materials and components must not be imported to a third party or be used for any unauthorized purpose. Conventions will be prosecuted.	CONSTR	DRAWN BY	CHECKED	TITLE	SCALE	DATE	
		matias		OIL COOLER	1:2	2007-02-14	
					DESCRIPTION	REVISION	
					ECD 54-250, STANDARD INNER	A	
					MATERIAL	DRAWING NO	
						SA00400A	