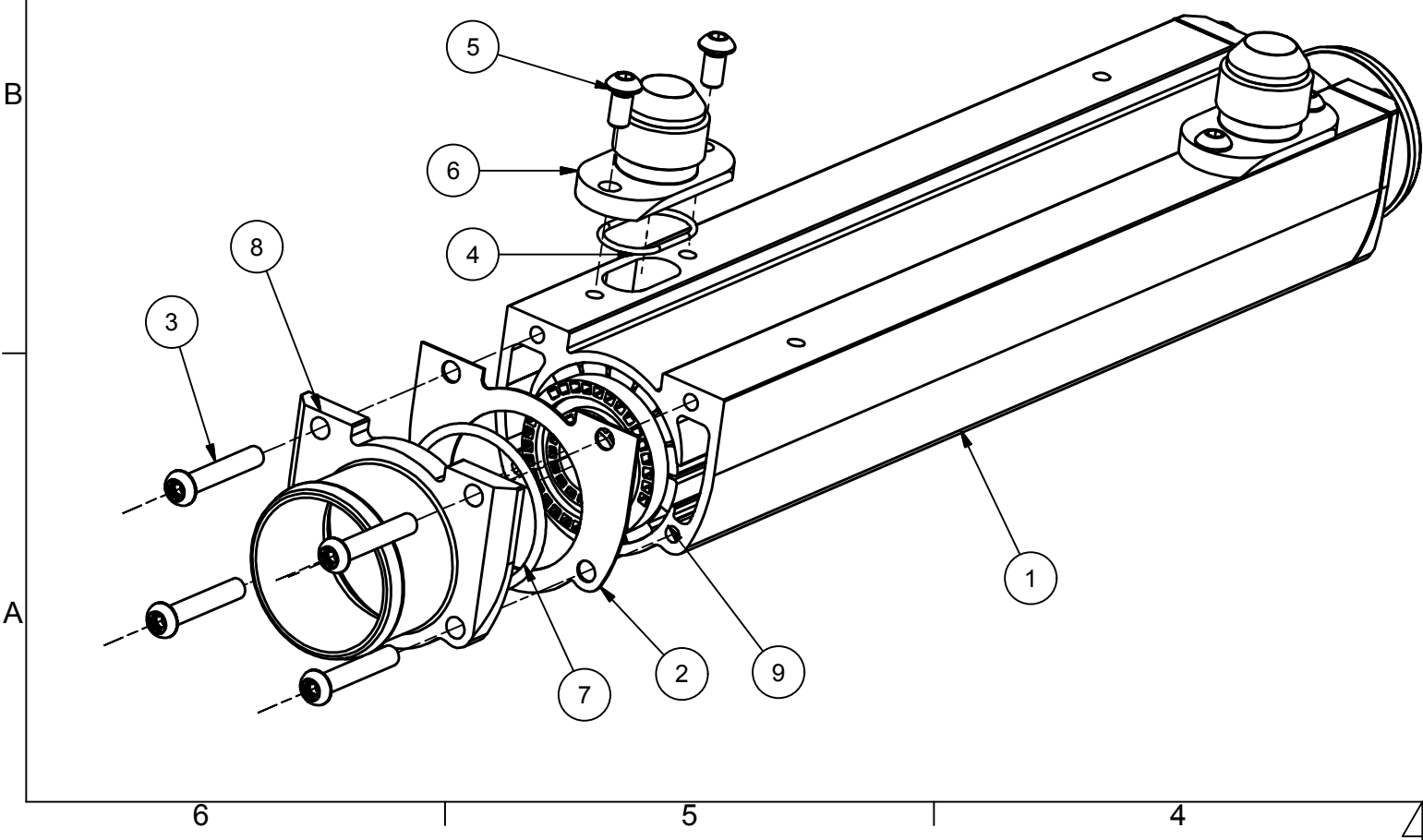
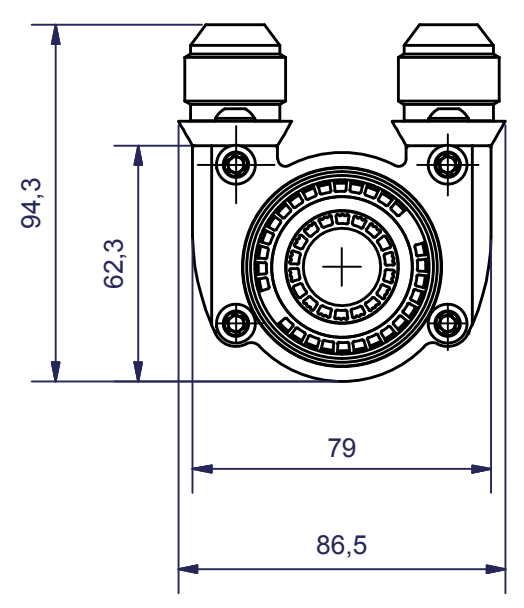


REVISION HISTORY					
REV	DESCRIPTION	DATE	BY	CHECKED	APPROVED
B	Standard finned inner core, was tight.	2008-02-19	MA		



ITEM	REQD	TITLE	PART NUMBER	DESCRIPTION
9	1	CORE ASSEMBLY	CA00012A	D54-329 (STANDARD)
8	2	WATER CONNECTION	WC00172B	EC54 ø50
7	2	O-RING	SL00084A	44,2x3 HNBR
6	2	OIL CONNECTION	OC00060B	EC 54 JIC 12
5	4	SCREW	TB00267A	ISO 7380 KTS 8.8 FZB M6x12
4	2	O-RING	SL00083A	ø26,7x1,78 FPM
3	8	SCREW	TB00266A	ISO 7380 KTS 8.8 FZB M6x25
2	2	GASKET	SL00081C	EC54
1	1	HOUSING	HS00138G	EC54-315

<small>This is the property of Laminova Production AB, Sweden and must not be copied, without our permission, and the contents thereof must not be imparted to a third party or be used for any unauthorized purpose. Contravention will be prosecuted.</small>	CONSTR	DRAWN BY MA	CHECKED	APPROVED	TITLE OIL COOLER	SCALE 1:2	DATE 2008-02-19	
						DESCRIPTION ECD54-329	MATERIAL	
						DRAWING NO SA00396		