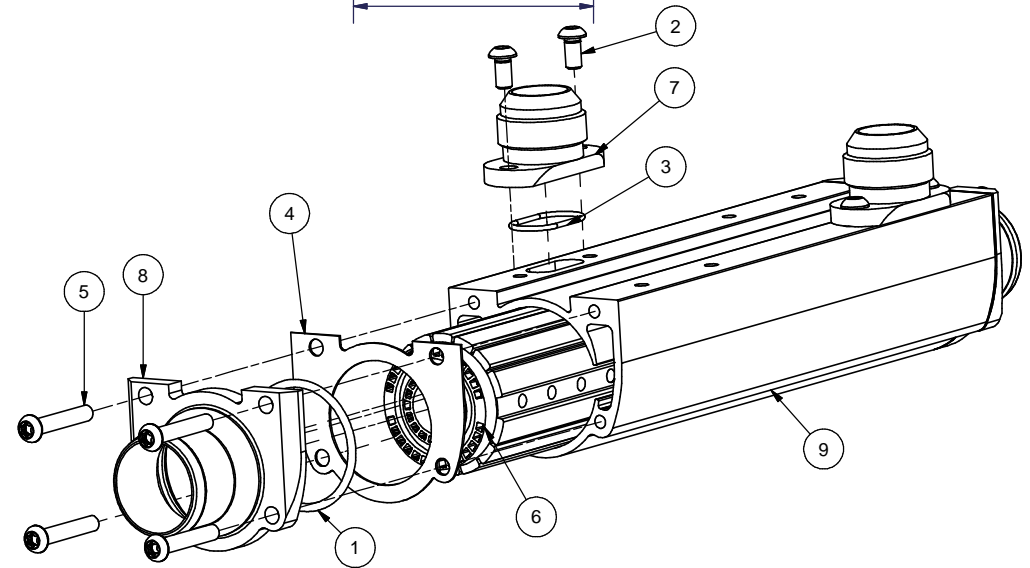
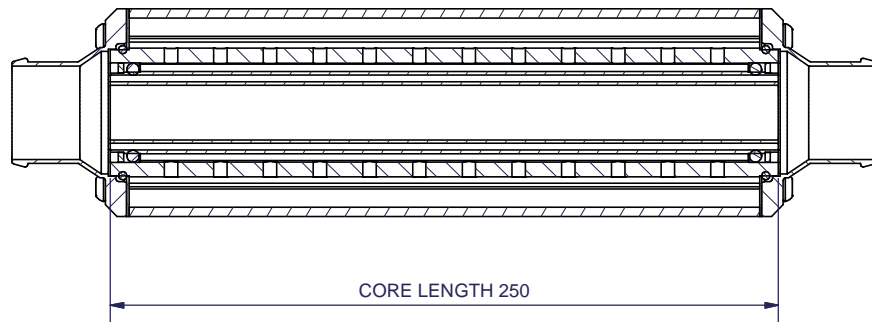


A-A



ITEM	REQD	TITLE	PART NUMBER	DESCRIPTION
9	1	HOUSING	HS00188A	EC54-236
8	2	WATER CONNECTION	WC00179A	EC54 $\varnothing 38$
7	2	OIL CONNECTION	OC00055C	EC54 JIC 16
6	1	CORE ASSEMBLY	CA00065A	D54-250, STANDARD INNER
5	8	SCREW	TB00266A	ISO 7380 KTS 8.8 FZB M6x25
4	2	GASKET	SL00081C	EC54
3	2	O-RING	SL00083A	$\varnothing 26,7 \times 1,78$ FPM
2	4	SCREW	TB00267A	ISO 7380 KTS 8.8 FZB M6x12
1	2	O-RING	SL00084A	44,2x3 HNBR

This is the property of Laminova Production AB. Sweden is a registered trademark. All rights reserved. No part of this document may be reproduced, stored in a retrieval system, transmitted, in any form or by any means, electronic, mechanical, photocopying, recording, or otherwise, without the prior written permission of Laminova Production AB.	CONSTR	DRAWN BY	CHECKED	TITLE	SCALE	DATE
		mattias	UL	OIL COOLER	1:2	2006-02-10
					REVISION	
					A	
DESCRIPTION					MATERIAL	
ECD 54-250, STANDARD INNER					DRAWING NO	
					SA00376A	