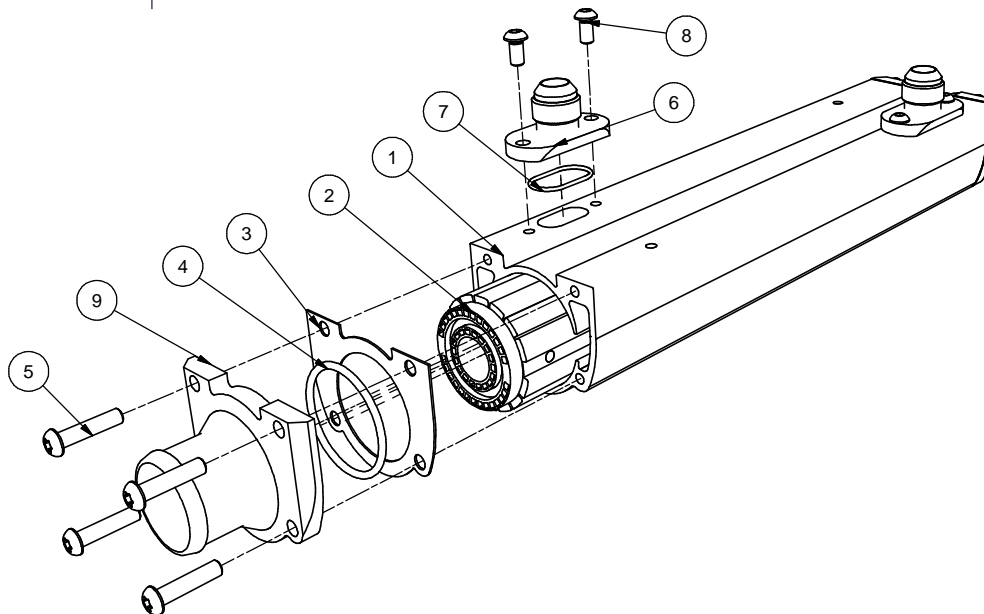
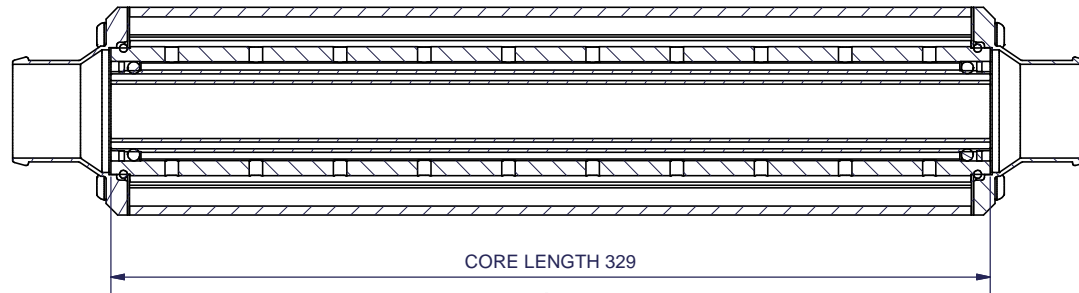


A-A



ITEM	REQD	TITLE	PART NUMBER	DESCRIPTION
9	2	WATER CONNECTION	WC00179A	EC54 $\varnothing 38$
8	4	SCREW	TB00135A	BN 6404 KTS M6x12
7	2	O-RING	SL00083A	$\varnothing 26,7 \times 1,78$ FPM
6	2	OIL CONNECTION	OC00070A	EC 54 JIC 10
5	8	SCREW	TB00134A	BN 6404 KTS M6x25
4	2	O-RING	SL00084A	44,2x3 HNBR
3	2	GASKET	SL00081C	EC54
2	1	CORE ASSEMBLY	CA00012A	D54-329 (STANDARD FINNED INNER CORE)
1	1	HOUSING	HS00138G	EC54-315

CONSTR	DRAWN BY	CHECKED	TITLE	SCALE	DATE
	mattias		OIL COOLER	1:2	2006-01-26
				REVISION	
				A	
DESCRIPTION				MATERIAL	
ECD54-329 WC $\varnothing 38$ OC-JIC10				DRAWING NO	
				SA00372A	

This is the property of Laminova Production AB. Sweden. The drawing and its content may not be copied or reproduced in any form or by any means without the prior written permission of Laminova Production AB. This document is for internal use only and is not to be used for any unauthorized purpose. Copying or reproduction without the prior written permission of Laminova Production AB will be prosecuted.