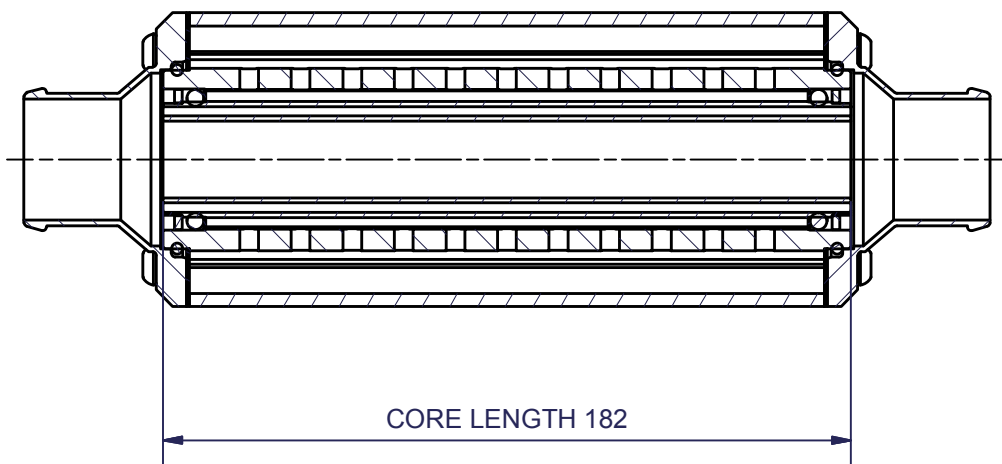


A-A (1:2)



9	1	CORE ASSEMBLY	CA00064A	D54-182, STANDARD INNER
8	2	WATER CONNECTION	WC00177A	EC54 ø35
7	8	SCREW	TB00134A	BN 6404 KTS M6x25
6	2	OIL CONNECTION	OC00060B	EC 54 JIC 12
5	2	GASKET	SL00081C	EC54
4	2	O-RING	SL00083A	ø26,7x1,78 FPM
3	4	SCREW	TB00135A	BN 6404 KTS M6x12
2	2	O-RING	SL00084A	44,2x3 HNBR
1	1	HOUSING	HS00157A	EC54-168
ITEM	REQD	TITLE	PART NUMBER	DESCRIPTION

This is the property of Laminova Production AB, Sweden and must not be copied without our permission, and the contents thereof must not be imparted to a third party or be used for any unauthorized purpose. Contravention will be prosecuted.	CONSTR	DRAWN BY mattiasp	CHECKED	TITLE OIL COOLER	SCALE	DATE 2005-12-15
					REVISION	
					DESCRIPTION ECD 54-182, STANDARD INNER	
						DRAWING NO SA00368A