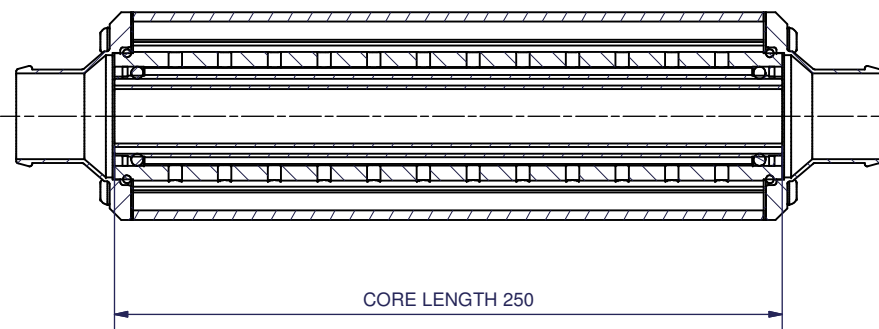


A-A (1:2)



ITEM	REQD	TITLE	PART NUMBER	DESCRIPTION
9	1	CORE ASSEMBLY	CA00065A	D54-250, STANDARD INNER
8	2	WATER CONNECTION	WC00177A	EC54 ø35
7	8	SCREW	TB00134A	BN 6404 KTS M6x25
6	2	OIL CONNECTION	OC00060B	EC 54 JIC 12
5	2	GASKET	SL00081C	EC54
4	2	O-RING	SL00083A	ø26,7x1,78 FPM
3	4	SCREW	TB00135A	BN 6404 KTS M6x12
2	2	O-RING	SL00084A	44,2x3 HNBR
1	1	HOUSING	HS00152A	EC54-236

This is the property of Laminova Production AB. Selection of drawings for reproduction without the written consent of Laminova Production AB is prohibited. This drawing is intended for use in the production of parts and is not to be used for any unauthorized purpose. Construction will be prosecuted.	CONSTR	DRAWN BY	CHECKED	TITLE	SCALE	DATE	
		mattiasp		OIL COOLER	1:2	2005-12-21	
					DESCRIPTION	REVISION	
					ECD 54-250, STANDARD INNER	MATERIAL	
					DRAWING NO		
					SA00364A		