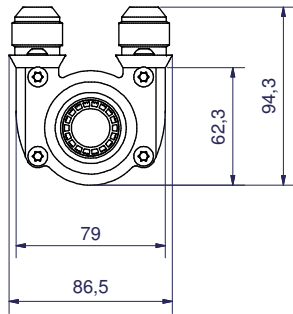
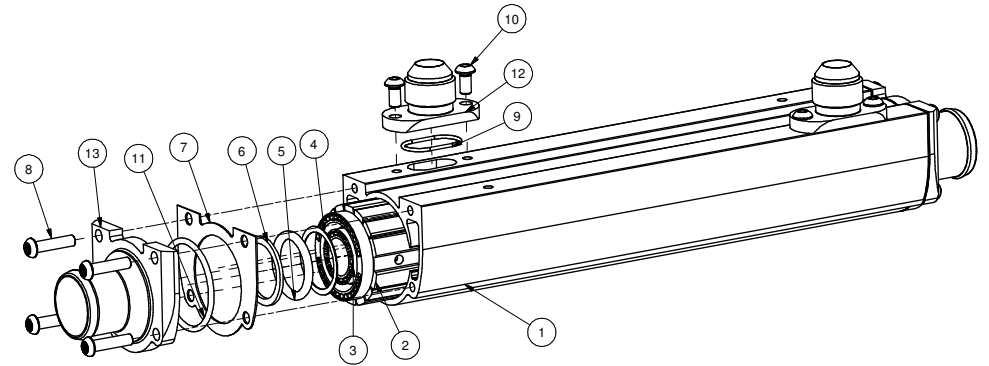
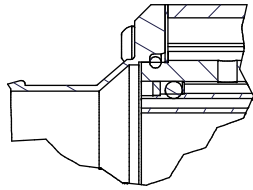
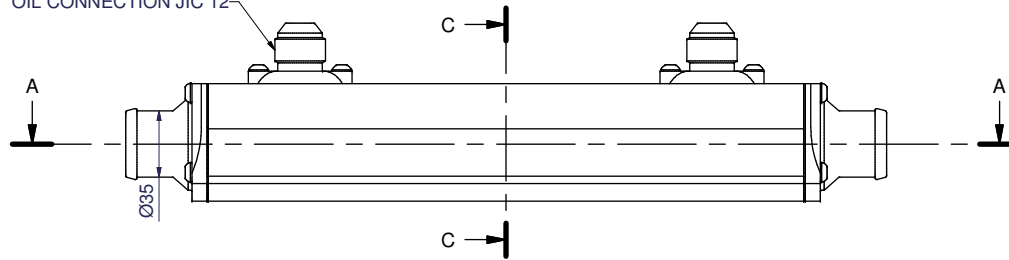


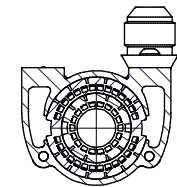
B (1:1)



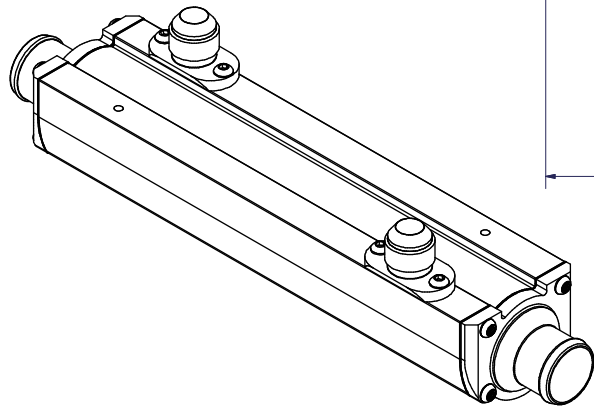
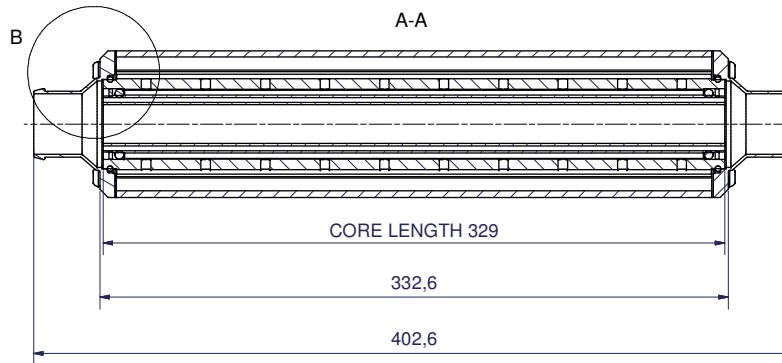
OIL CONNECTION JIC 12



C-C



A-A



13	2	WATER CONNECTION	WC00177A	EC54 ø35
12	2	OIL CONNECTION	OC00060B	EC 54 JIC 12
11	2	O-RING	SL00084A	44,2x3 HNBR
10	4	SCREW	TB00135A	BN 6404 KTS M6x12
9	2	O-RING	SL00083A	ø26,7x1,78 FPM
8	8	SCREW	TB00134A	BN 6404 KTS M6x25
7	2	GASKET	SL00081C	EC54
6	2	END RING	TB00090D	29,8/37,1/2
5	2	O-RING	SL00061A	ø28,1x4,5 HNBR
4	2	SUPPORT RING	TB00092B	ø30,8/ø36,8/0,5
3	1	CORE	CR00138A	D37-329
2	1	CORE	CR00137B	D54-329
1	1	HOUSING	HS00138G	EC54-315

ITEM	REQD	TITLE	PART NUMBER	DESCRIPTION
CONSTR		DRAWN BY	CHECKED	TITLE
		Mattias		OIL COOLER
DESCRIPTION				MATERIAL
ECD 54-329				
DRAWING NO				DATE
SA00347A				2006-08-21

This is the property of Laminova Production AB. Reproduction or distribution of this drawing without the prior written permission of Laminova Production AB is prohibited.

