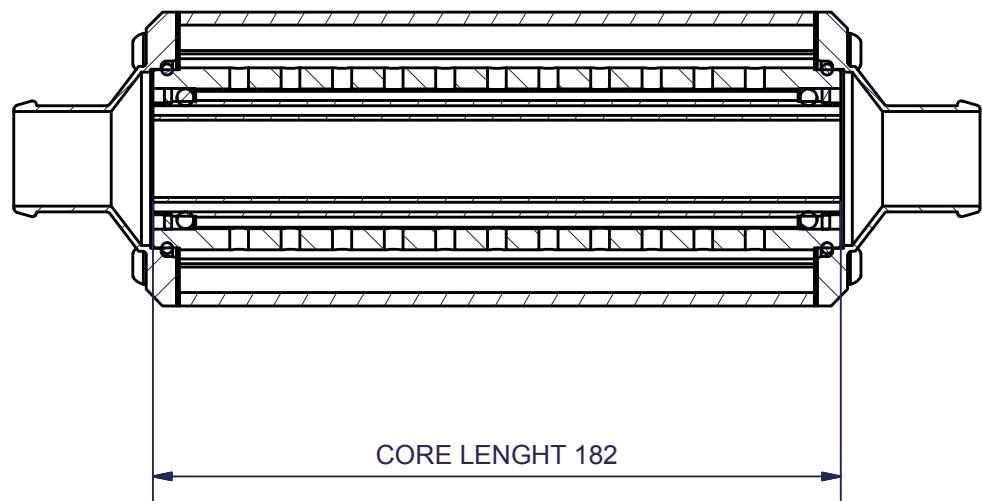
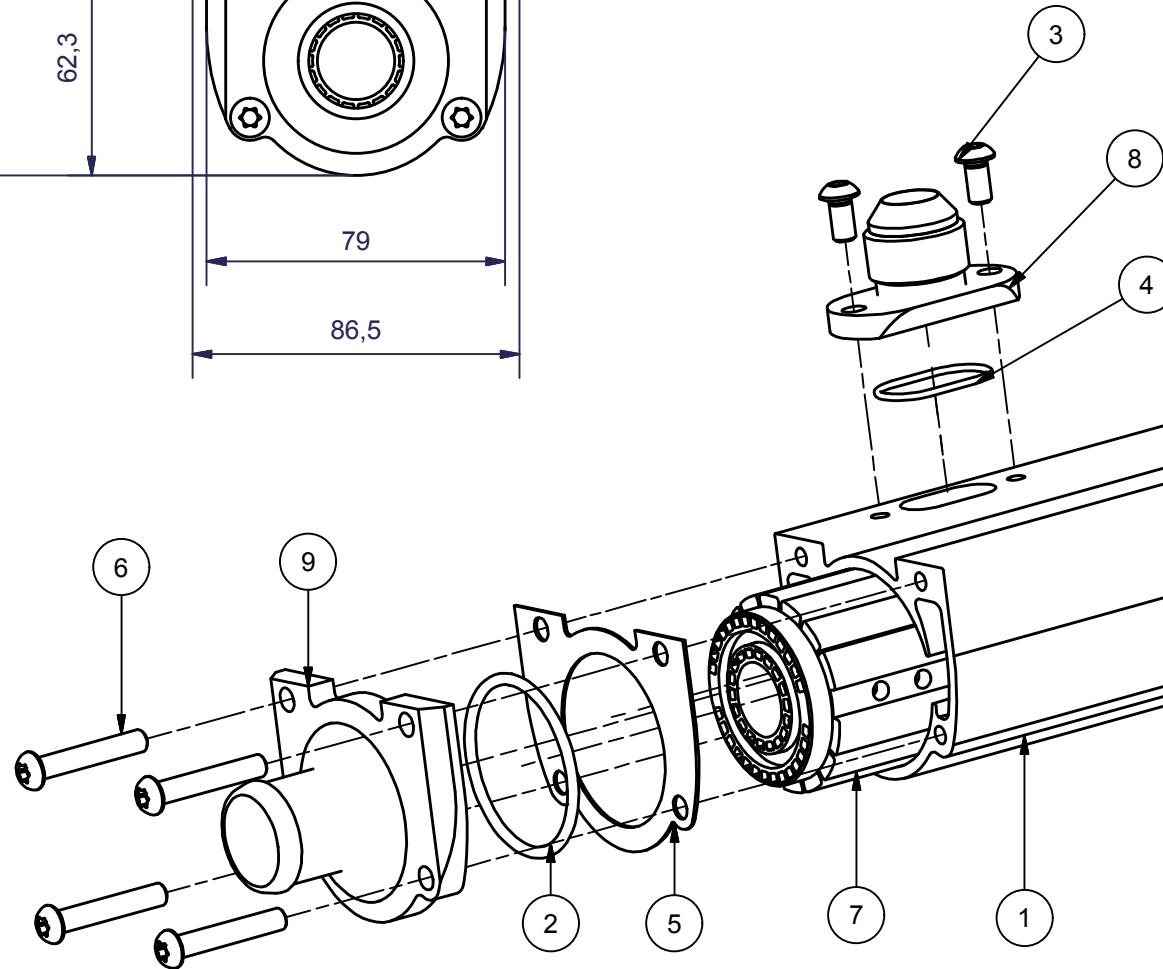
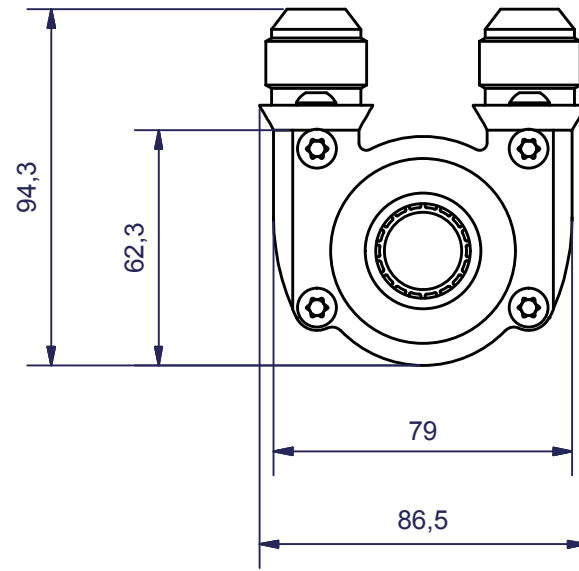
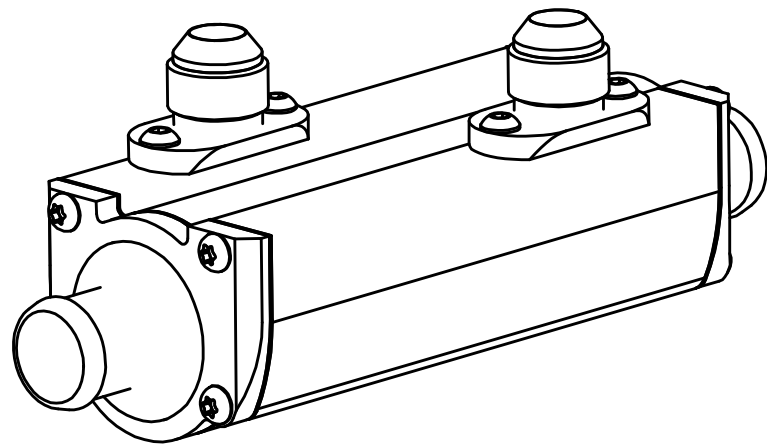



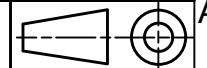
A-A



CORE LENGHT 182



9	2	WATER CONNECTION	WC00152A	EC54 ø28
8	2	OIL CONNECTION	OC00060B	EC 54 JIC 12
7	1	CORE ASSEMBLY	CA00064A	D54-182, STANDARD INNER
6	8	SCREW	TB00266A	ISO 7380 KTS 8.8 FZB M6x25
5	2	GASKET	SL00081C	EC54
4	2	O-RING	SL00083A	ø26,7x1,78 FPM
3	4	SCREW	TB00267A	ISO 7380 KTS 8.8 FZB M6x12
2	2	O-RING	SL00084A	44,2x3 HNBR
1	1	HOUSING	HS00157A	EC54-168
ITEM	REQ	TITLE	PART NUMBER	DESCRIPTION

<small>This is the property of Laminova Production AB, Sweden and must not be copied, without our permission, and the contents thereof must not be imparted to a third party or be used for any unauthorized purpose. Contravention will be prosecuted.</small>	CONSTR	DRAWN BY	CHECKED	APPROVED	TITLE	SCALE	DATE
		pmb			<b>OIL COOLER</b>	1:2	2011-01-31
	DESCRIPTION				MATERIAL	REVISION	
	ECD 54-182, STANDARD INNER						
						DRAWING NO	
						SA00338A	