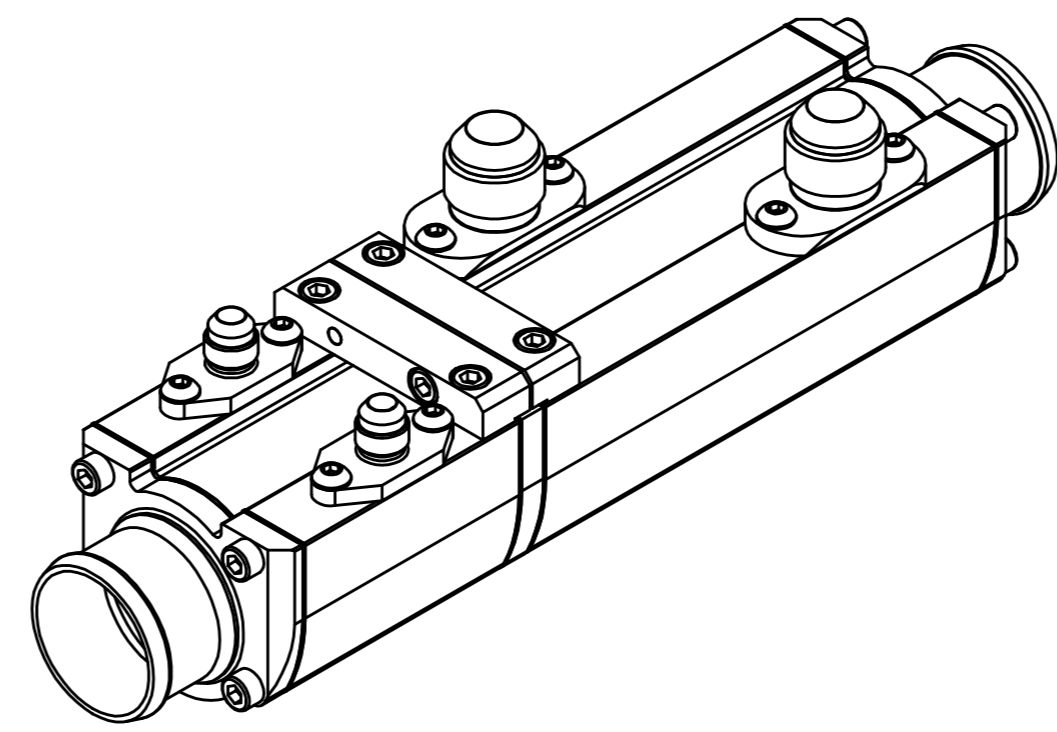
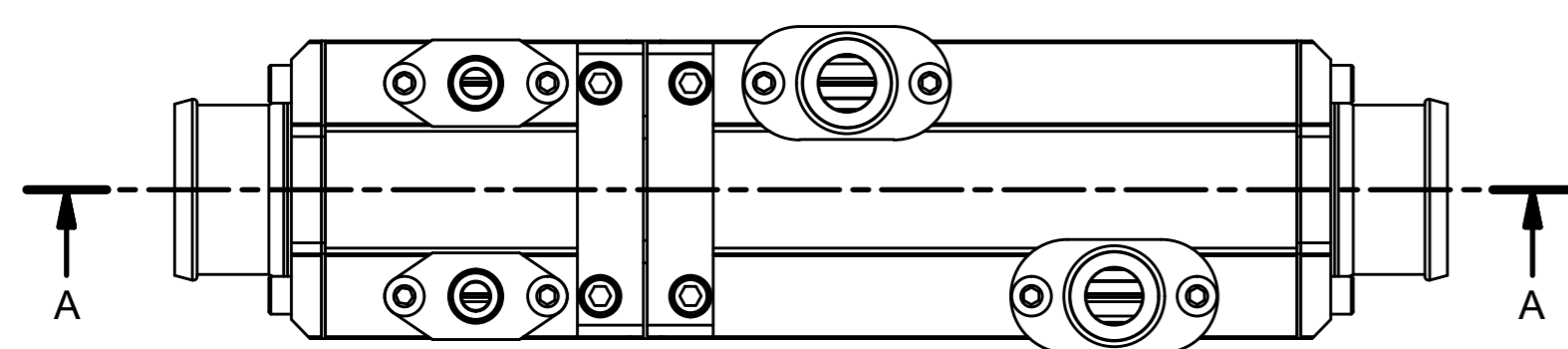
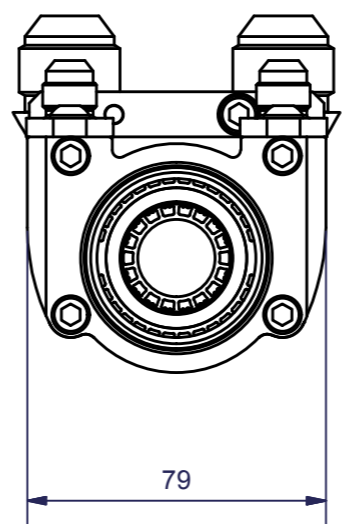
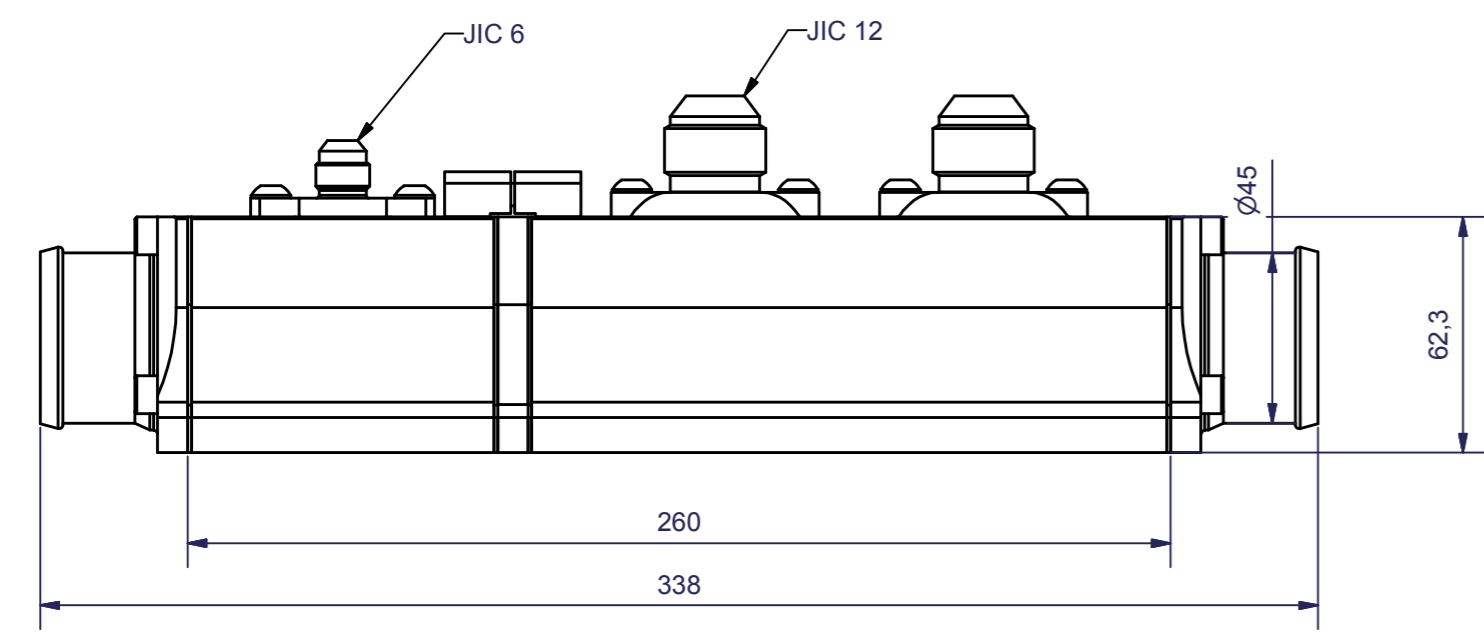
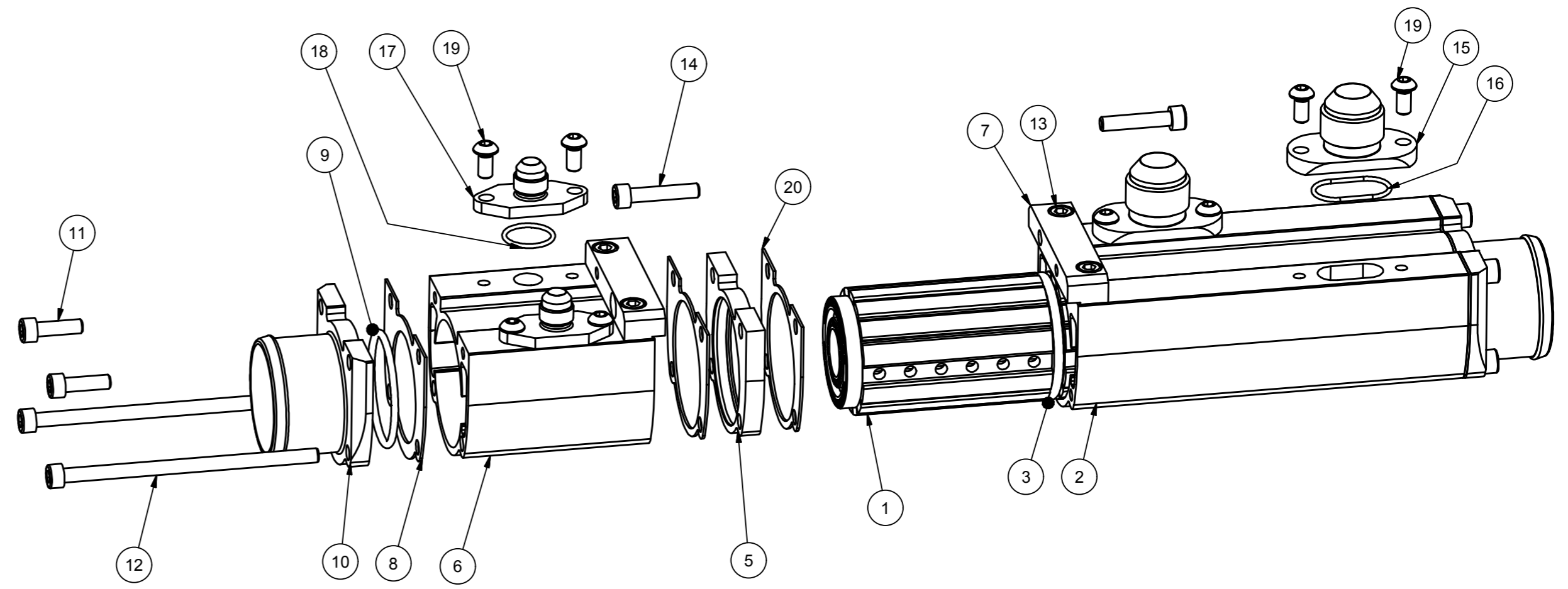
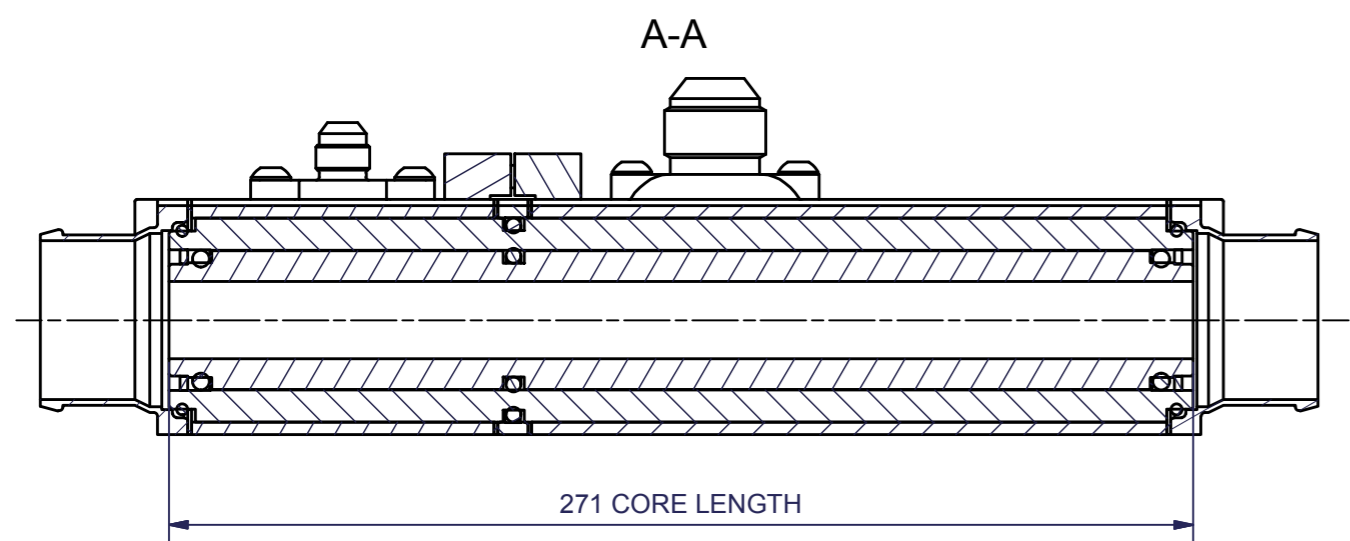


REVISION HISTORY			
REV	DESCRIPTION	DATE	BY
B	CHANGED GASKETS, SL00114 & SL00101B. BEFORE SL00081C & SL00101A & ADDED DIMENSIONS	2005-09-06	Value



ITEM	REQD	TITLE	PART NUMBER	DESCRIPTION
20	2	GASKET	SL00101B	EC54 SPECIAL COMBINED UNIT
19	8	SCREW	TB00135A	BN 6404 KTS M6x12
18	2	O-RING	SL00039A	18,77x1,78 FPM
17	2	OIL CONNECTION	OC00079A	JIC 6
16	2	O-RING	SL00083A	ø26,7x1,78 FPM
15	2	OIL CONNECTION	OC00060B	EC 54 JIC 12
14	2		ISO 4762 - M6 x 30	Hexagon Socket Head Cap Screw
13	4		ISO 4762 - M6 x 12	Hexagon Socket Head Cap Screw
12	2		ISO 4762 - M6x110	Hexagon Socket Head Cap Screw
11	6		ISO 4762 - M6 x 20	Hexagon Socket Head Cap Screw
10	2	WATER CONNECTION	WC00134C	EC54 ø45
9	2	O-RING	SL00084A	44,2x3 HNBR
8	2	GASKET	SL00114A	EC54
7	2	BRACKET	TB00191C	
6	1	HOUSING	HS00160A	EC54-80 Combined unit
5	1	MEDIUM PLATE	TB00190C	
3	1	O-RING	SL00067A	ø46x4 FPM
2	1	HOUSING	HS00164A	EC54-168 Combined unit
1	1	CORE ASSEMBLY	CA00036A	D54-271 Combined

CONSTR	DRAWN BY Tomas	CHECKED	TITLE OIL COOLER	SCALE 1:2 A2	DATE 2004-02-23
			DESCRIPTION ECD54-271 Combined Special	MATERIAL	DRAWING NO SA00312B