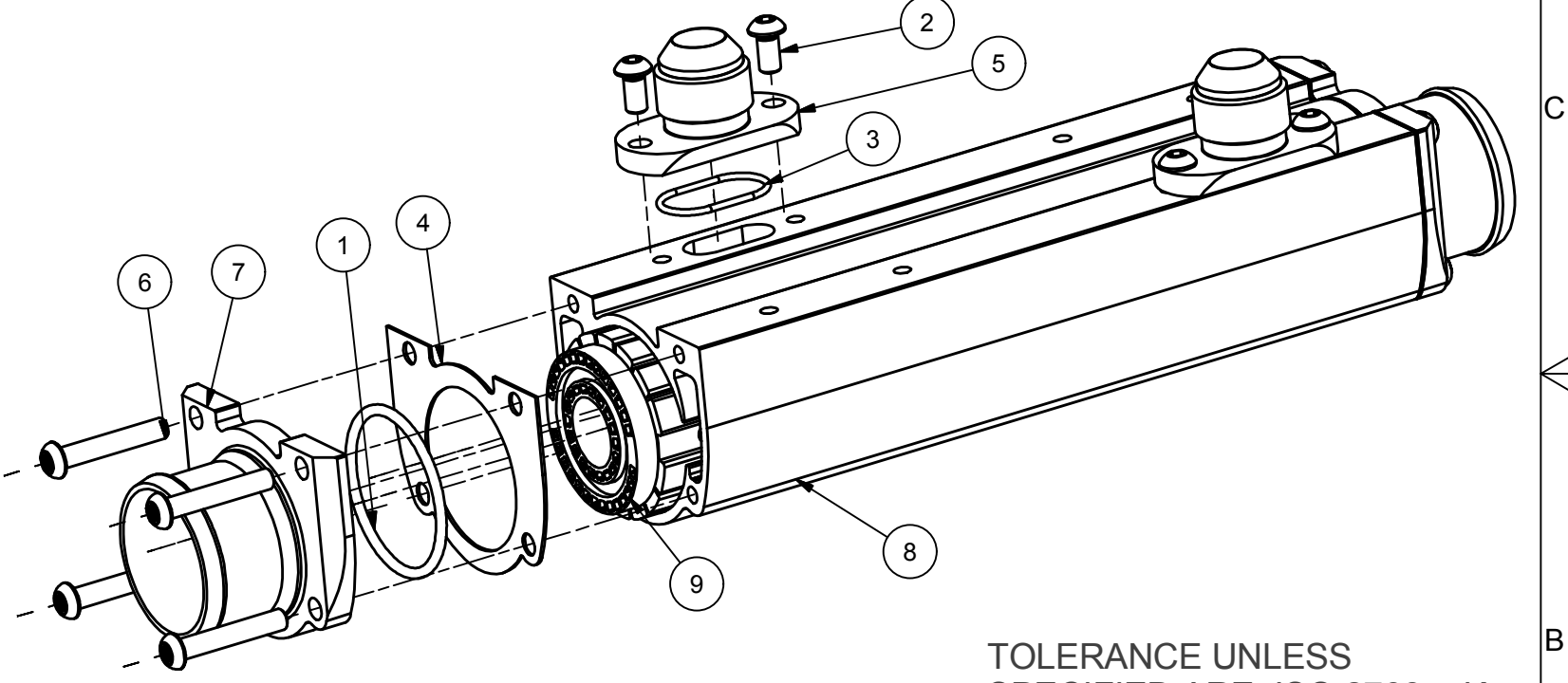
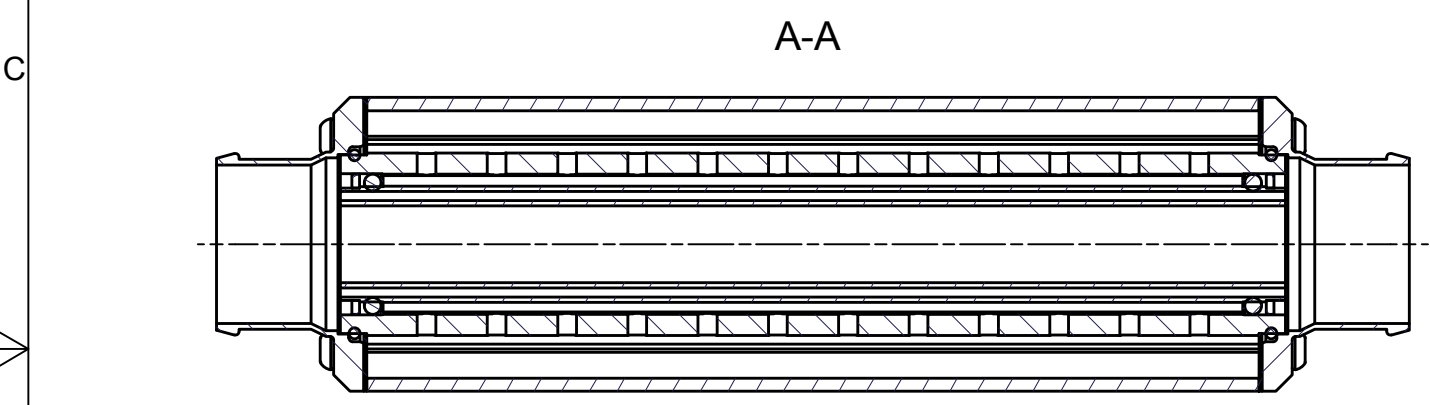
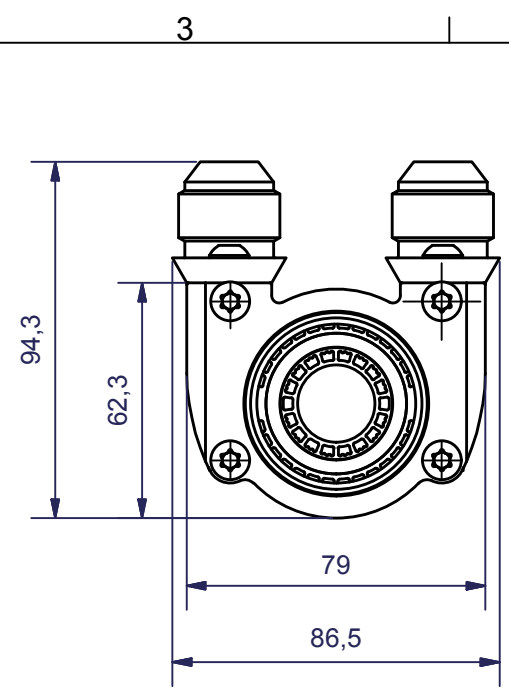
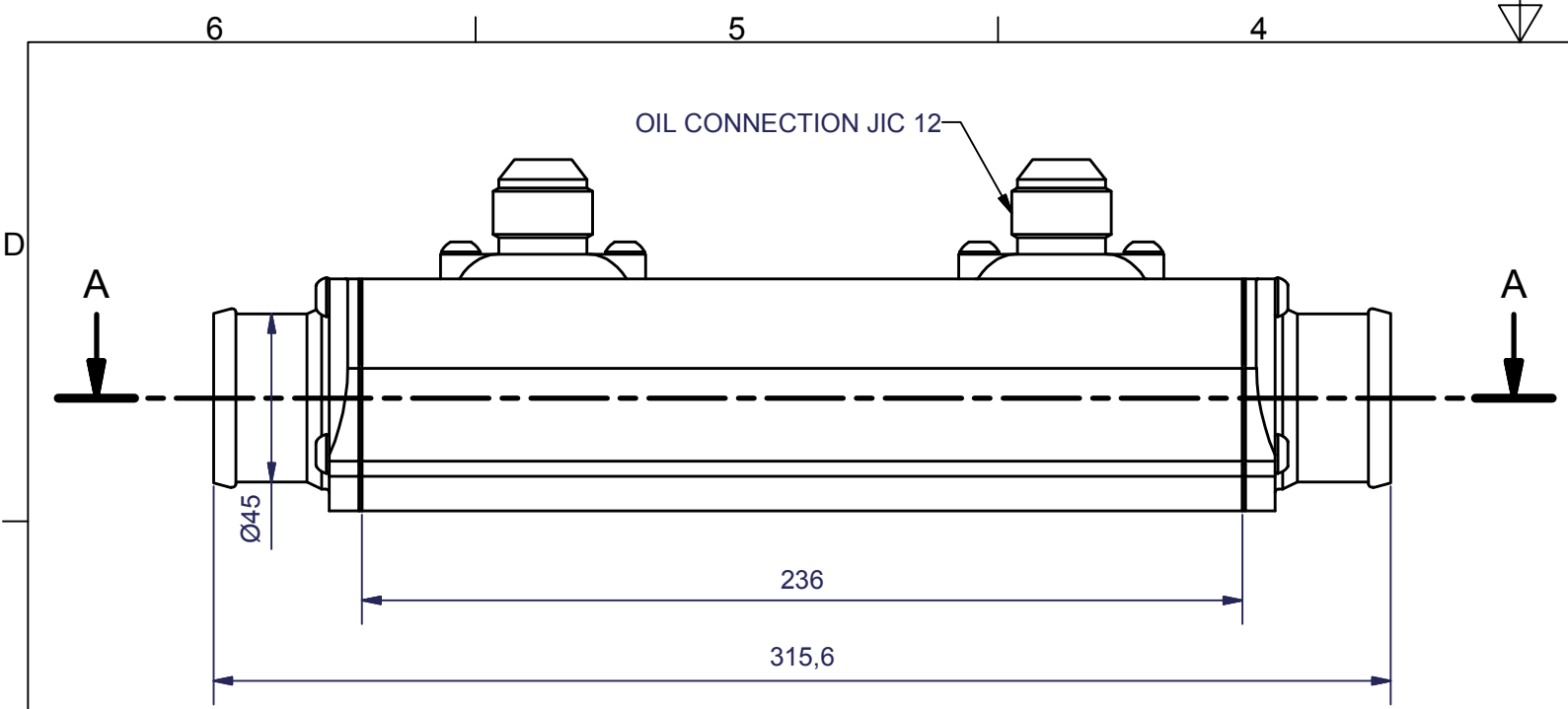
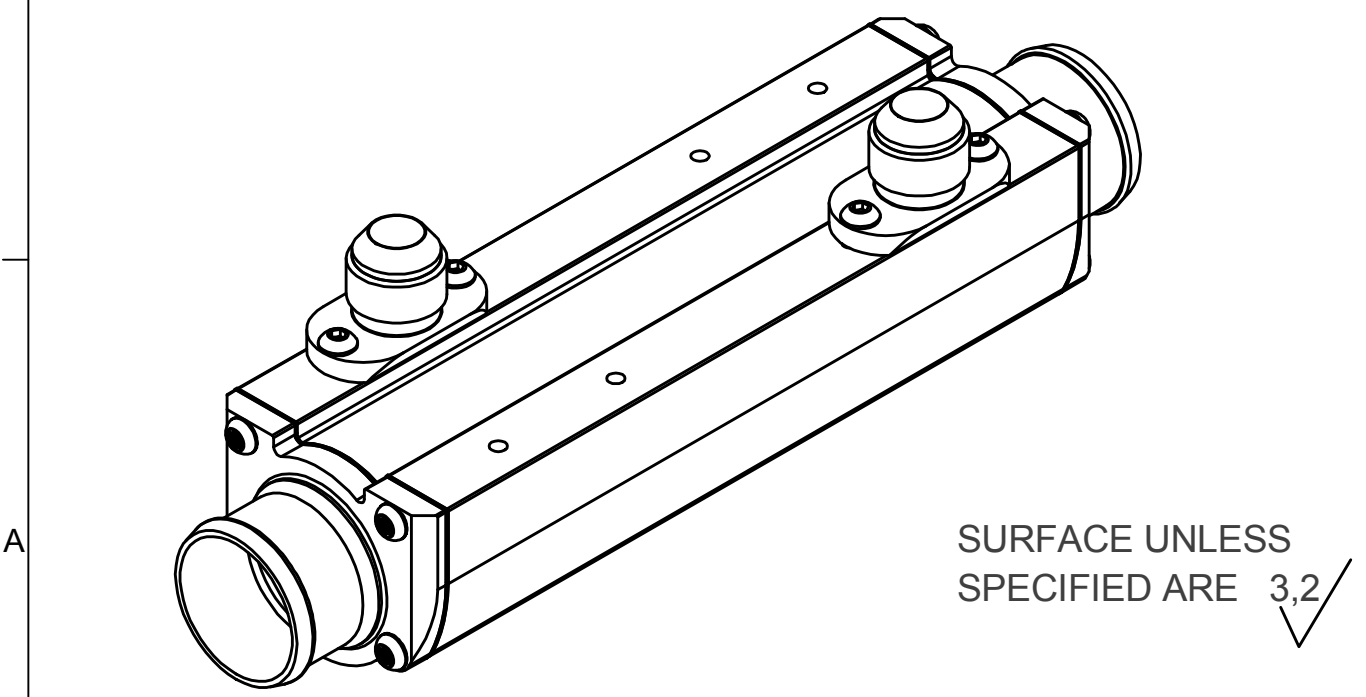


NO	REVISION	BY	DATE
B	HS00188 was HS00152	RH	2010-06-09
B	TB00266 was TB00134	RH	
B	TB00267 was TB00135	RH	



TOLERANCE UNLESS SPECIFIED ARE ISO 2768-mK



SURFACE UNLESS SPECIFIED ARE 3,2

ITEM	REQD	TITLE	PART NUMBER	DESCRIPTION
9	1	CORE ASSEMBLY	CA00065B	D54-250, STANDARD INNER
8	1	HOUSING	HS00188A	EC54-236
7	2	WATER CONNECTION	WC00134C	EC54 Ø45
6	8	SCREW	TB00266A	ISO 7380 KTS 8.8 FZB M6x25
5	2	OIL CONNECTION	OC00060B	EC 54 JIC 12
4	2	GASKET	SL00081C	EC54
3	2	O-RING	SL00083A	Ø26,7x1,78 FPM
2	4	SCREW	TB00267A	ISO 7380 KTS 8.8 FZB M6x12
1	2	O-RING	SL00084A	44,2x3 HNBR

This is the property of Laminova Production AB, Sweden and must not be copied without our permission, and the contents thereof must not be imparted to a third party or be used for any unauthorized purpose. Contravention will be prosecuted.	CONSTR TA	DRAWN BY Robert	CHECKED UL	TITLE OIL COOLER	SCALE 1:2	DATE 2010-06-09
					REVISION B	
					DESCRIPTION ECD 54-250 OC JIC-12, WC Ø45	
					DRAWING NO SA00267B	