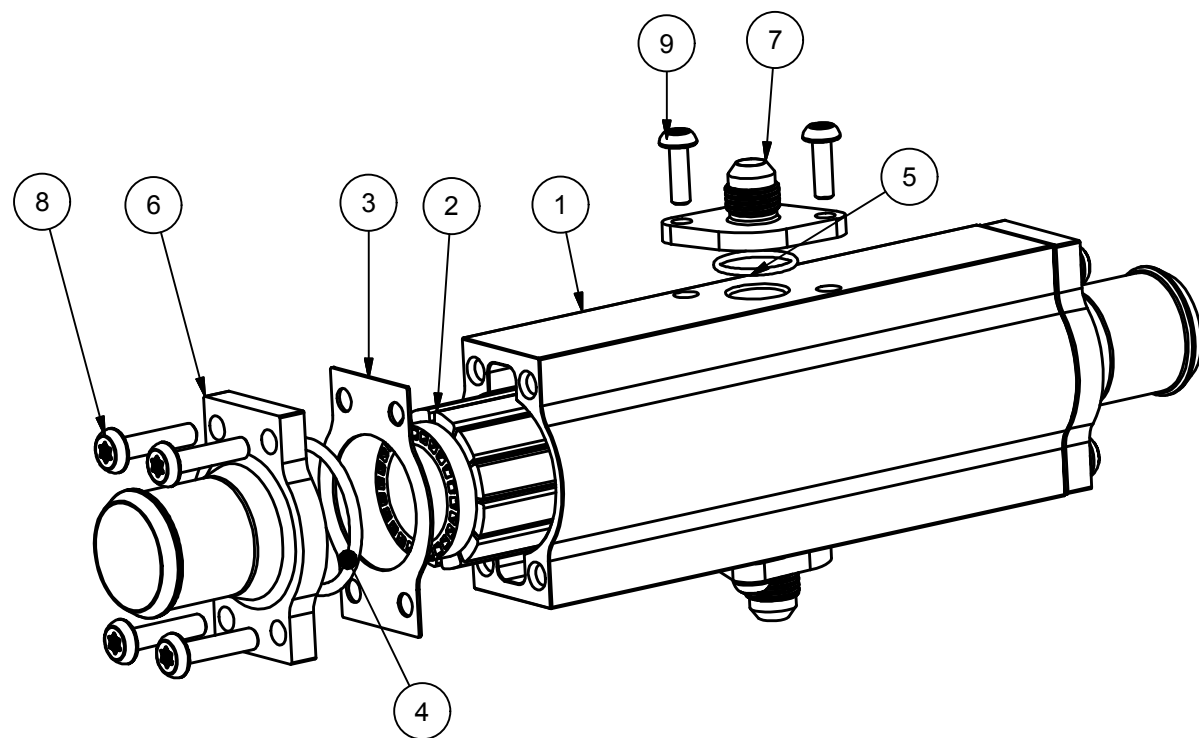
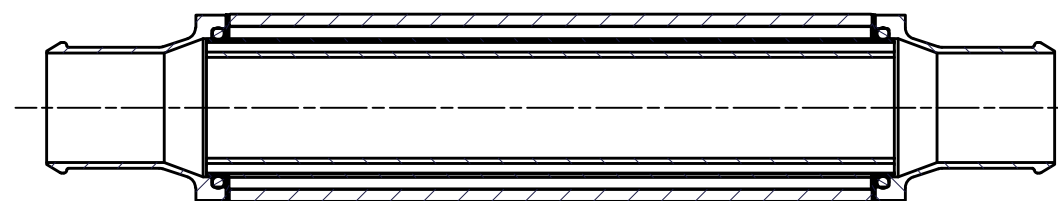


A-A



| 9 | 4 | Screw Torx | TB00048A | MRT-TT M5x16 |
|------|-----|------------------|-------------|-------------------------|
| 8 | 8 | Screw Torx | TB00043A | MRT-TT M6x25 |
| 7 | 2 | OIL CONNECTION | OC00025B | JIC 6 |
| 6 | 2 | WATER CONNECTION | WC00031B | C43/45 \varnothing 32 |
| 5 | 2 | O-RING | SL00039A | 18,77x1,78 FPM |
| 4 | 2 | O-RING | SL00038A | 36,17x3,2 HNBR |
| 3 | 2 | GASKET | SL00002A | C43/45 |
| 2 | 1 | CORE | CR00002 | \varnothing 43-182 |
| 1 | 1 | HOUSING | HS00003D | C43 L=170,2 |
| ITEM | REQ | TITLE | PART NUMBER | DESCRIPTION |

| | | | | | | | | |
|--|--------|----------|---------|-------------------------------|--------------------|------------|------------|--|
| <small>This is the property of Laminova Production AB, Sweden and must not be copied without our permission, and the contents thereof must not be imparted to a third party or be used for any unauthorized purpose. Contravention will be prosecuted.</small> | CONSTR | DRAWN BY | CHECKED | TITLE | | SCALE | DATE | |
| | | JE | UL | | | 1:2 (A3) | 2008-02-13 | |
| | | | | | Oil Cooler C43-180 | | REVISION | |
| | | | | | DESCRIPTION | | MATERIAL | |
| | | | | OC JIC 6, WC \varnothing 32 | | DRAWING NO | | |
| | | | | | | SA00238A | | |