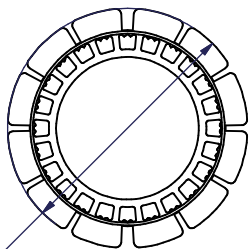
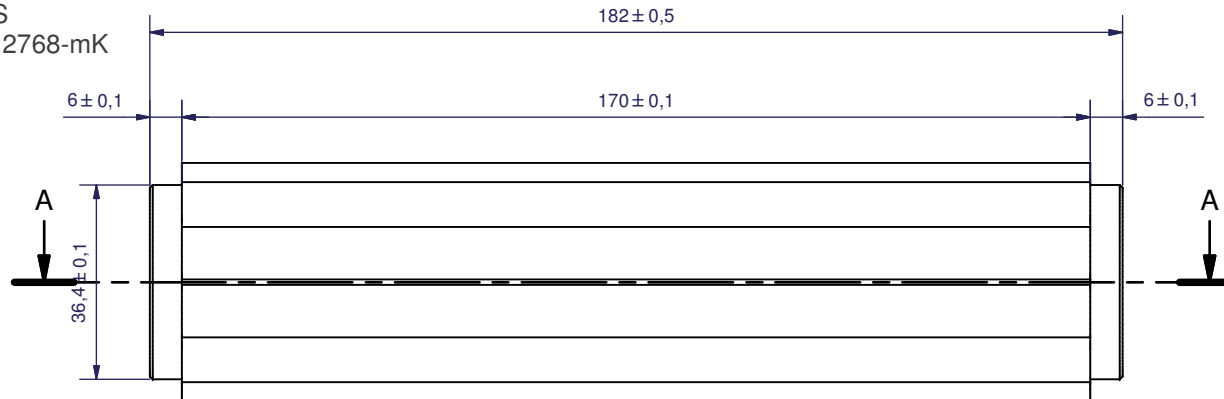


SURFACE UNLESS SPECIFIED ARE 3,2

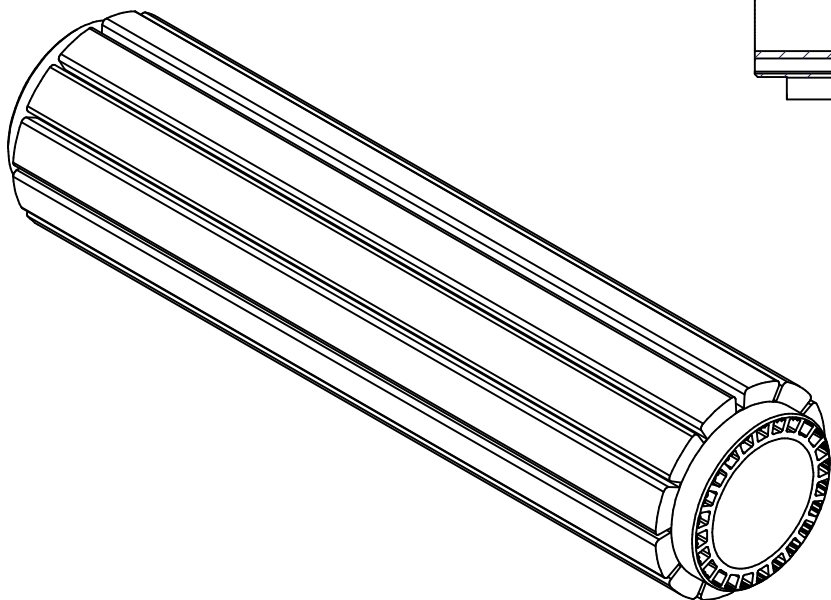
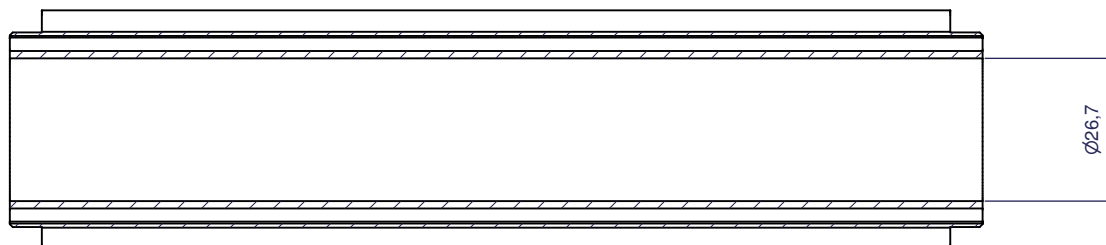
TOLERANCE UNLESS SPECIFIED ARE ISO 2768-mK




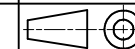
$\varnothing 44,9 \pm 0,1$



A-A



SHARP EDGES BROKEN

<small>This is the property of Laminova Production AB. Swedens drawings and technical specifications are not to be copied, reprinted, reproduced, stored in a retrieval system, transmitted, in any form or by any means, electronic, mechanical, photocopying, recording, or by any information storage and retrieval system, without the prior written permission of Laminova Production AB. This document is intended for internal use only. It is not to be used for any unauthorized purpose. Construction will be prosecuted.</small>	CONSTR	DRAWN BY mattias	CHECKED	TITLE	SCALE 1:1	DATE 2006-01-30
	 Laminova Heat Exchanger Systems				DESCRIPTION	
					CORE $\varnothing 45-182$	MATERIAL
						DRAWING NO CR00252A