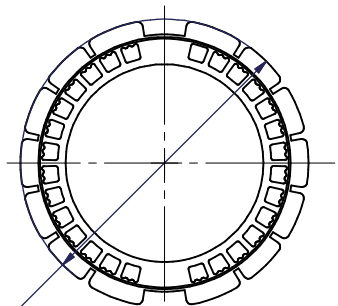
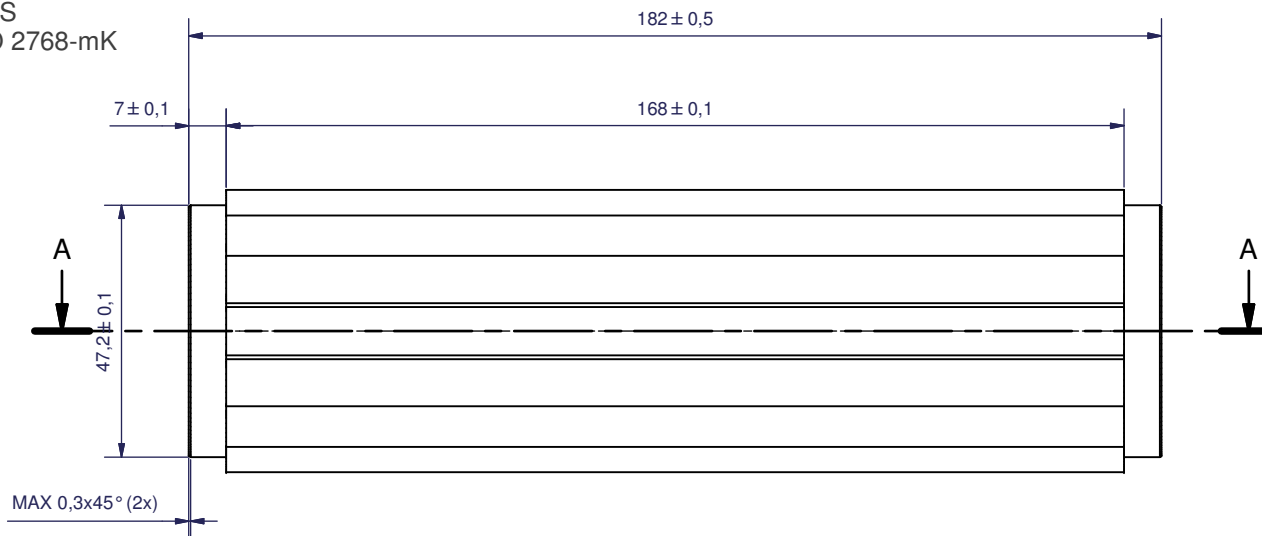


SURFACE UNLESS SPECIFIED ARE 3,2

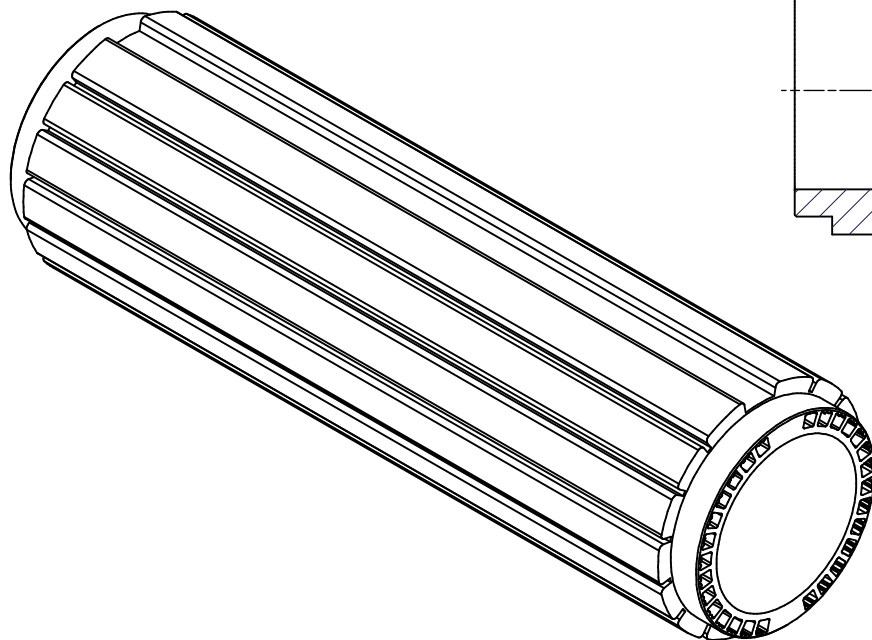
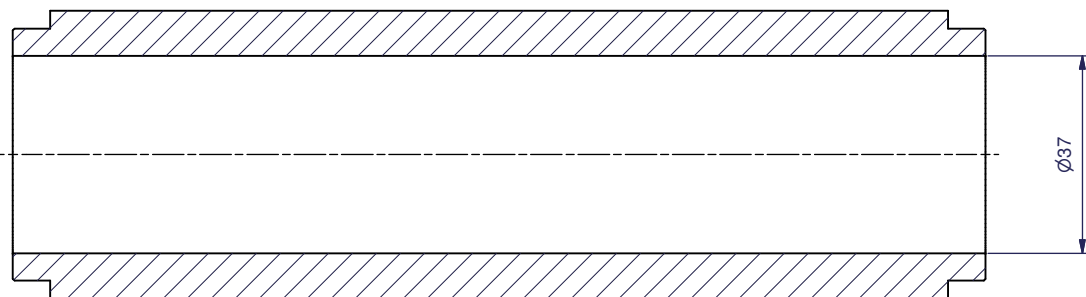
TOLERANCE UNLESS SPECIFIED ARE ISO 2768-mK





$\varnothing 53,9 \pm 0,1$



A-A



SHARP EDGES BROKEN

<small>This is the property of Laminova Production AB. Swedens drawings and technical data are not to be reproduced, stored in a retrieval system or transmitted in any form or by any means, electronic, mechanical, photocopying, recording, or by any information storage and retrieval system, without the prior written permission of Laminova Production AB. This document is intended for internal use only. It is not to be used for any unauthorized purpose. Consequences will be prosecuted.</small>	CONSTR	DRAWN BY mattias	CHECKED	TITLE	SCALE 1:1	DATE 2006-01-30
	 Laminova Heat Exchanger Systems				DESCRIPTION	
					CORE	
	ø54-182					MATERIAL