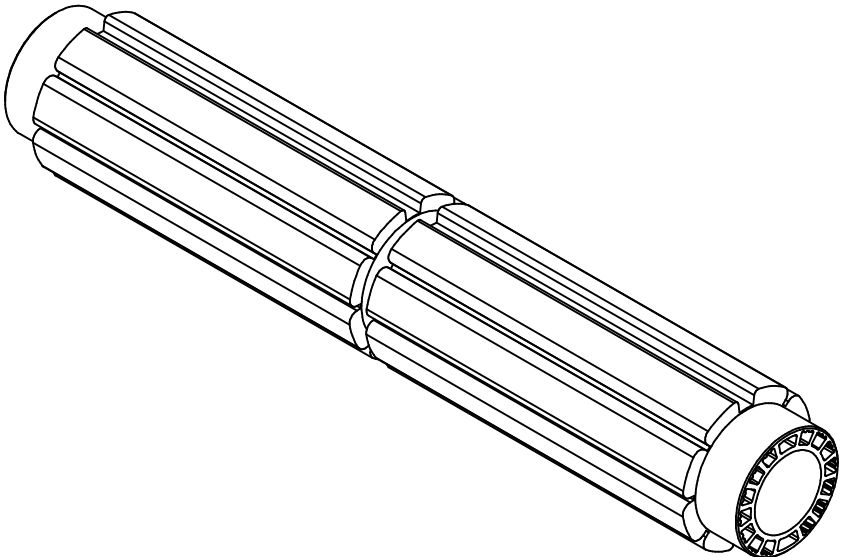
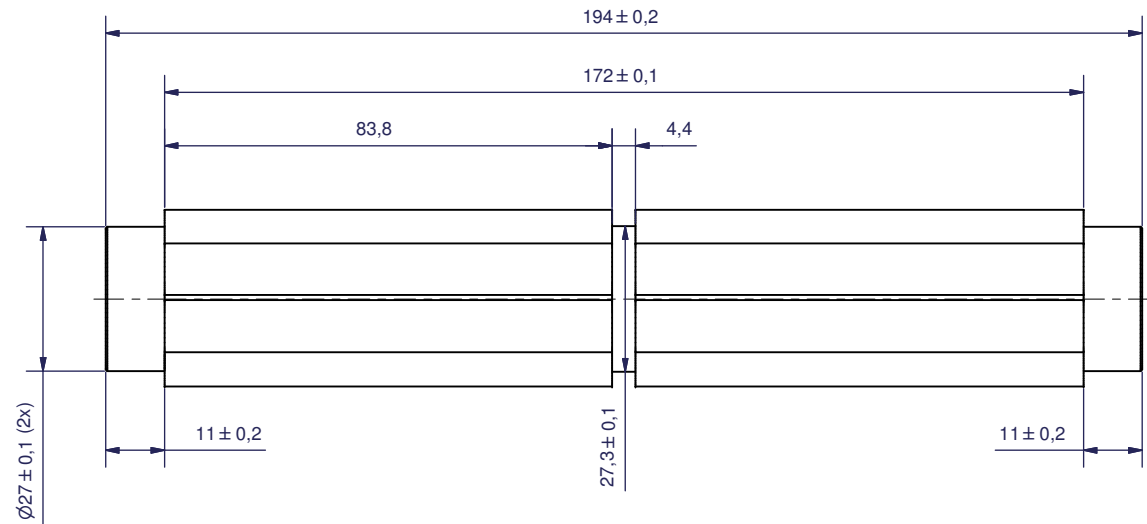
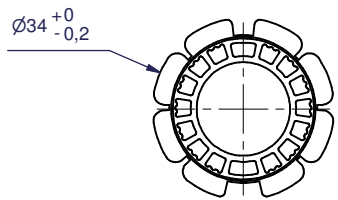

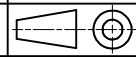


SURFACE UNLESS SPECIFIED ARE 3,2

TOLERANCE UNLESS SPECIFIED ARE ISO 2768-m



SHARP EDGES BROKEN

| | | | | | | |
|--|--|-------------------|---------|-------|------------------------------|---|
| This is the property of Laminova Production s.r.l. - Slovenia. The drawing is the property of Laminova Production s.r.l. and its use for any unauthorized purpose. Conventions will be prosecuted. | CONSTR | DRAWN BY tomas | CHECKED | TITLE | SCALE 1:1 | DATE 2002-03-05 |
| |  Laminova Heat Exchanger Systems | | | | DESCRIPTION |  |
| | | | | | CORE $\varnothing 34-194$ | |
| | | | | | | DRAWING NO CR00178A |