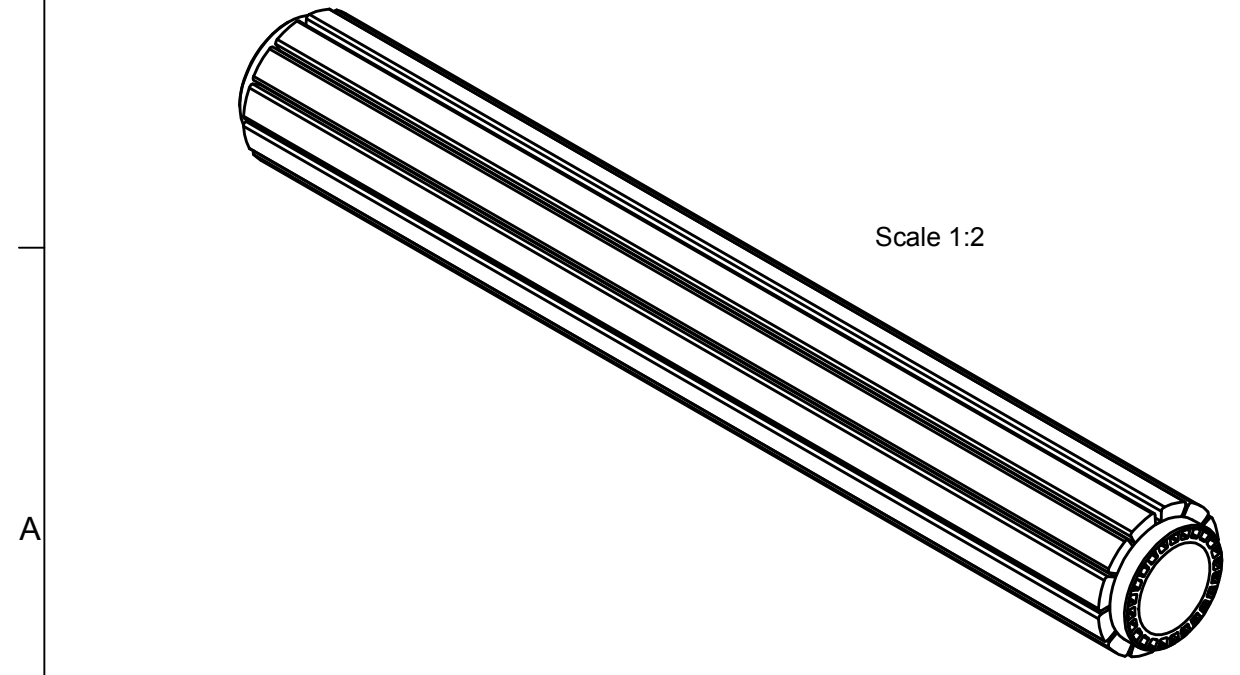
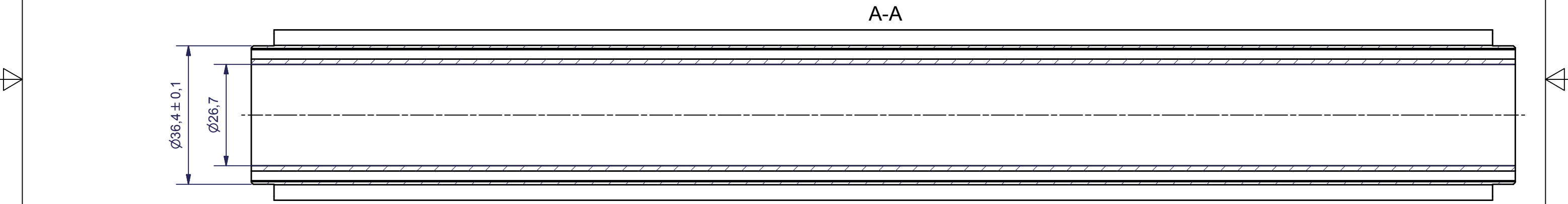
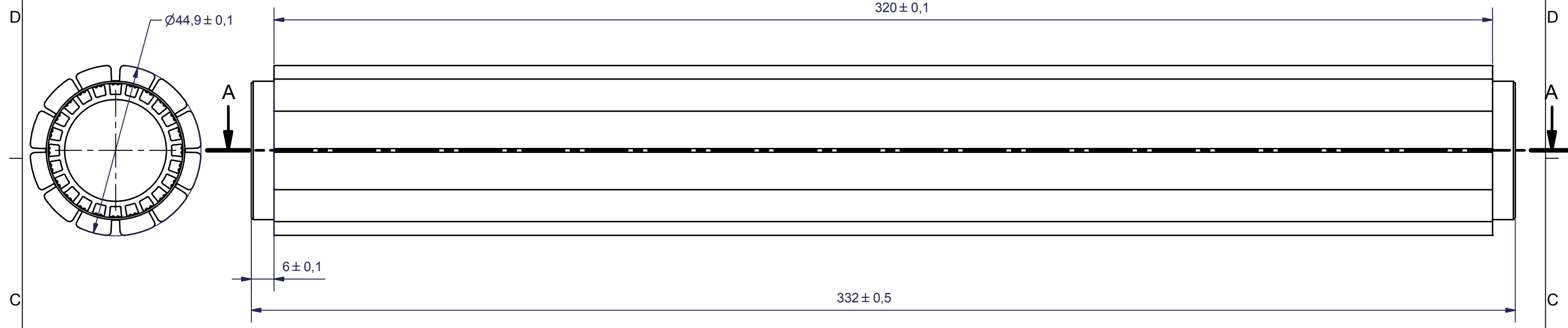


6 5 4 3 2 1



TOLERANCE UNLESS SPECIFIED ARE ISO 2768-mK

SURFACE UNLESS SPECIFIED ARE 3,2 ✓

SHARP EDGES BROKEN

This is the property of Laminova Production AB, Sweden and must not be copied without our permission, and the contents thereof must not be imparted to a third party or be used for any unauthorized purpose. Contravention will be prosecuted.	CONSTR	DRAWN BY	CHECKED	TITLE	SCALE	DATE	
	PL	mattias		CORE	1:1	2009-11-19	
	<b>Laminova</b> Heat Exchanger Systems				REVISION		
					A		
				ø45-332	MATERIAL	DRAWING NO	
					PR00002	CR00107D	

6 5 4 3 2 1