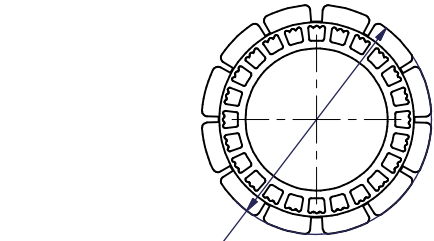


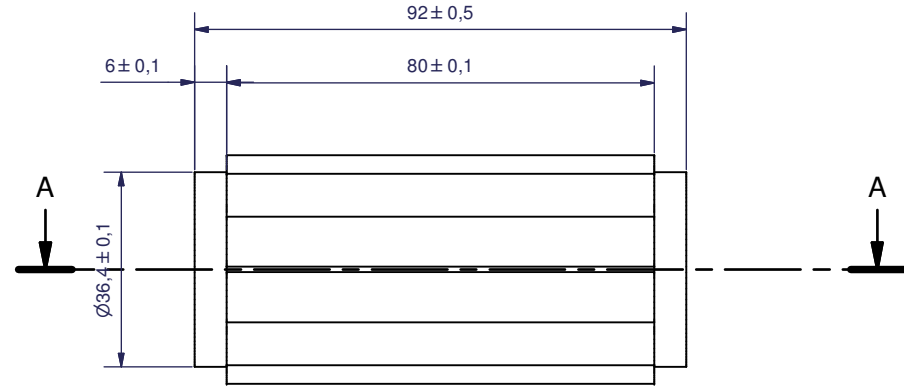
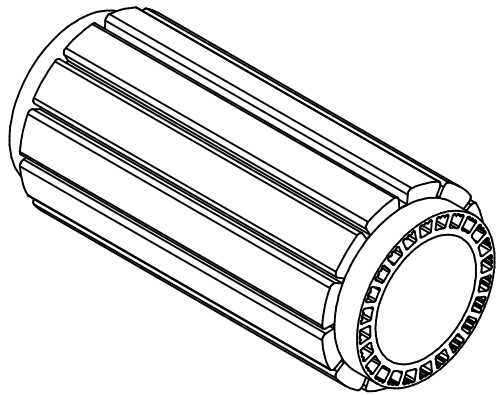
REVISION HISTORY				
REV	DESCRIPTION	DATE	BY	CHECKED BY
B	Changed core diameter	2007-08-30	MA	JE

TOLERANCE UNLESS SPECIFIED ARE ISO 2768-mK

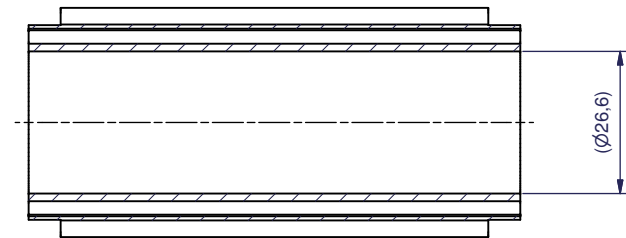
SURFACE UNLESS SPECIFIED ARE 3,2



$\triangle B$ $\varnothing 43 \pm 0,1$



A-A (1:1)



SHARP EDGES BROKEN

<small>This is the property of Laminova Production AB. Swedens drawings and technical data may not be reproduced, stored in a retrieval system or transmitted in any form or by any means, electronic, mechanical, photocopying, recording, or by any information storage and retrieval system, without the prior written permission of Laminova Production AB. This document is intended for internal use only. Its content shall not be disclosed to third parties. All rights reserved. Copying, distribution or use for any unauthorized purpose. Construction will be prosecuted.</small>	CONSTR	DRAWN BY mattias	CHECKED JE	TITLE CORE	SCALE 1:1	DATE 2006-01-17
					REVISION B	
	DESCRIPTION ø43-92				MATERIAL	
					DRAWING NO CR00005	