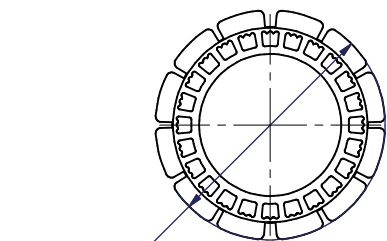


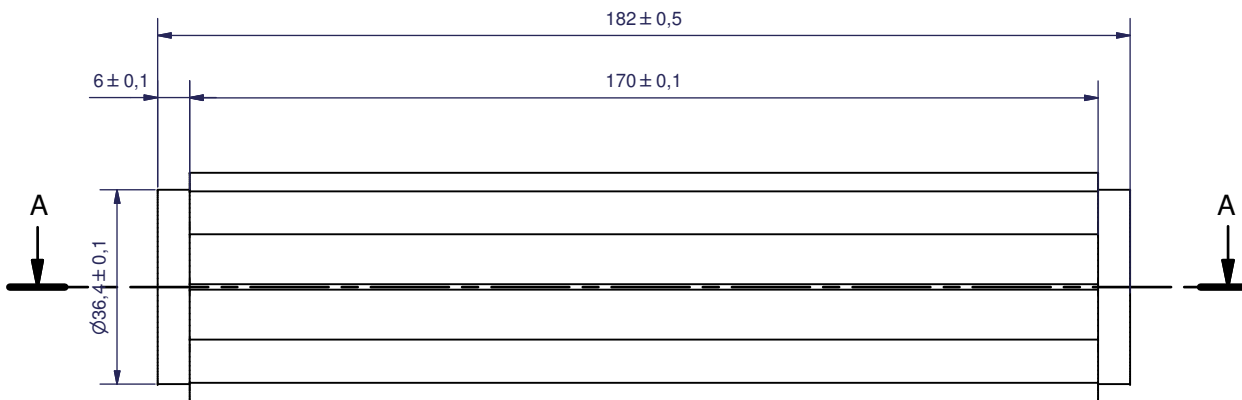
TOLERANCE UNLESS  
SPECIFIED ARE ISO 2768-mK

SURFACE UNLESS  
SPECIFIED ARE 3,2

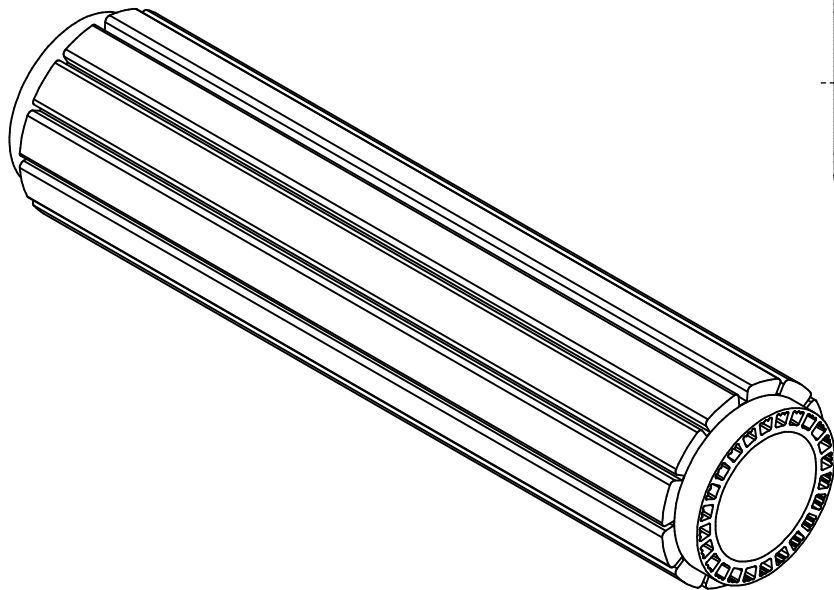
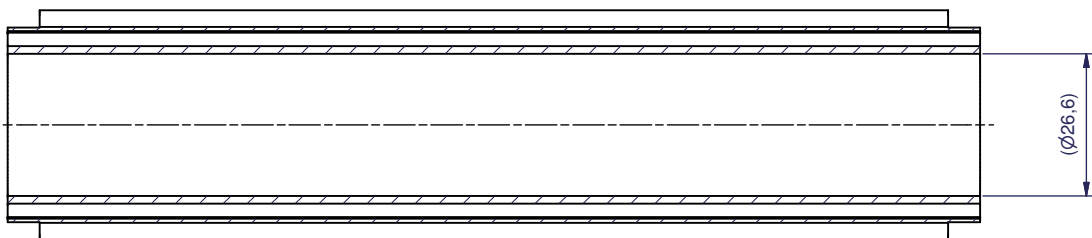
REVISION HISTORY				
REV	DESCRIPTION	DATE	BY	CHECKED
B	Changed core diameter	2007-08-30	MA	JE



$\varnothing 43 \pm 0,1$



A-A (1:1)



SHARP EDGES BROKEN

<small>This is the property of Laminova Production AB. Swedens copyrights and trademarks must not be reproduced, stored in a retrieval system, transmitted, or used for any unauthorized purpose. Consentation will be prosecuted.</small>	CONSTR	DRAWN BY	CHECKED	TITLE	SCALE	DATE
		tomas	JE	CORE	1:1	2006-01-17
					REVISION	
					B	
				DESCRIPTION	PR00002 (SAPA 320643)	
				$\varnothing 43-182$	DRAWING NO	
					CR00002	