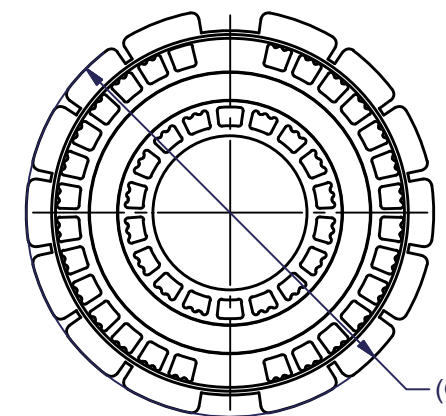
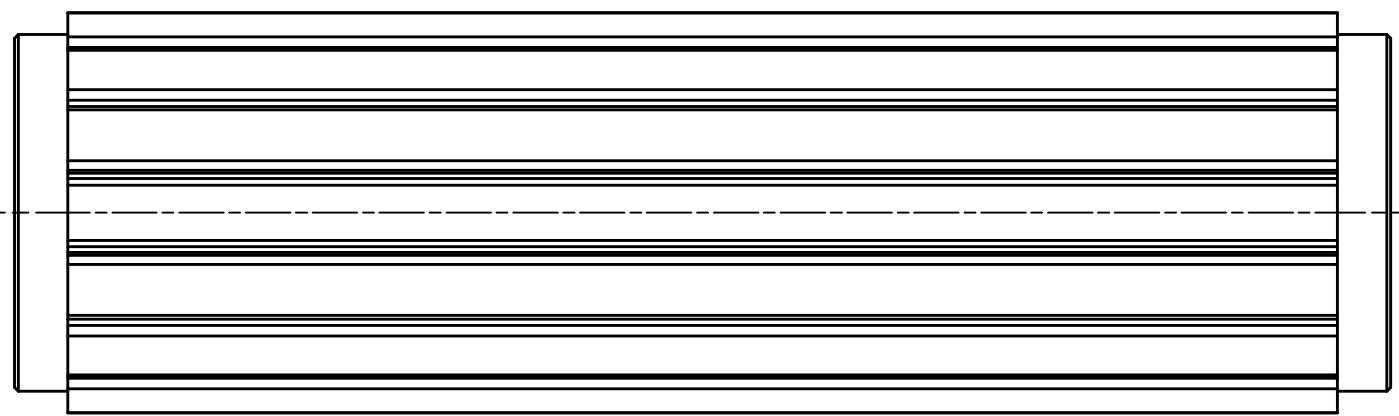
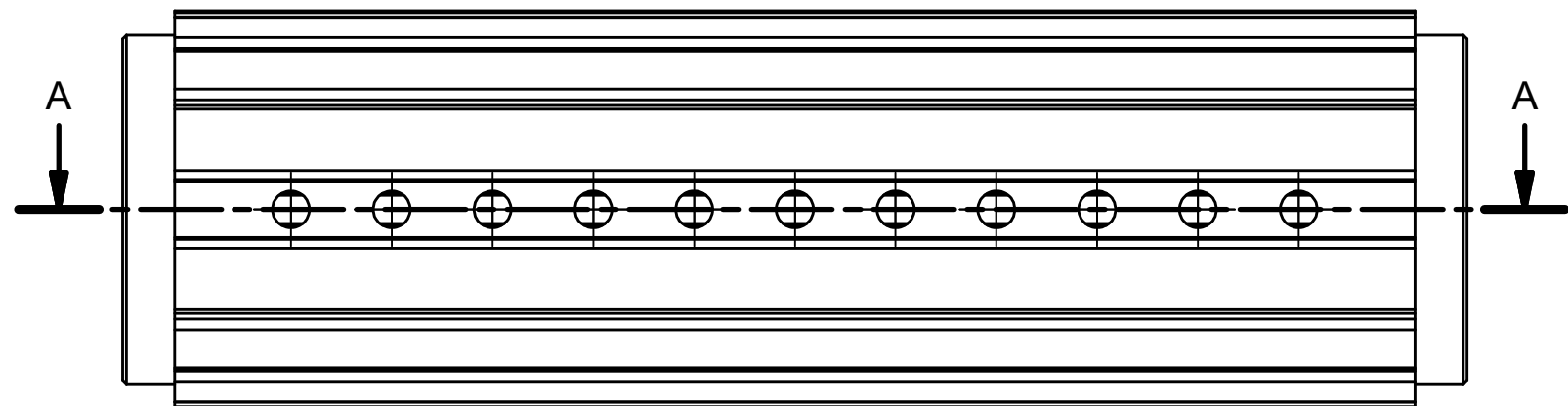


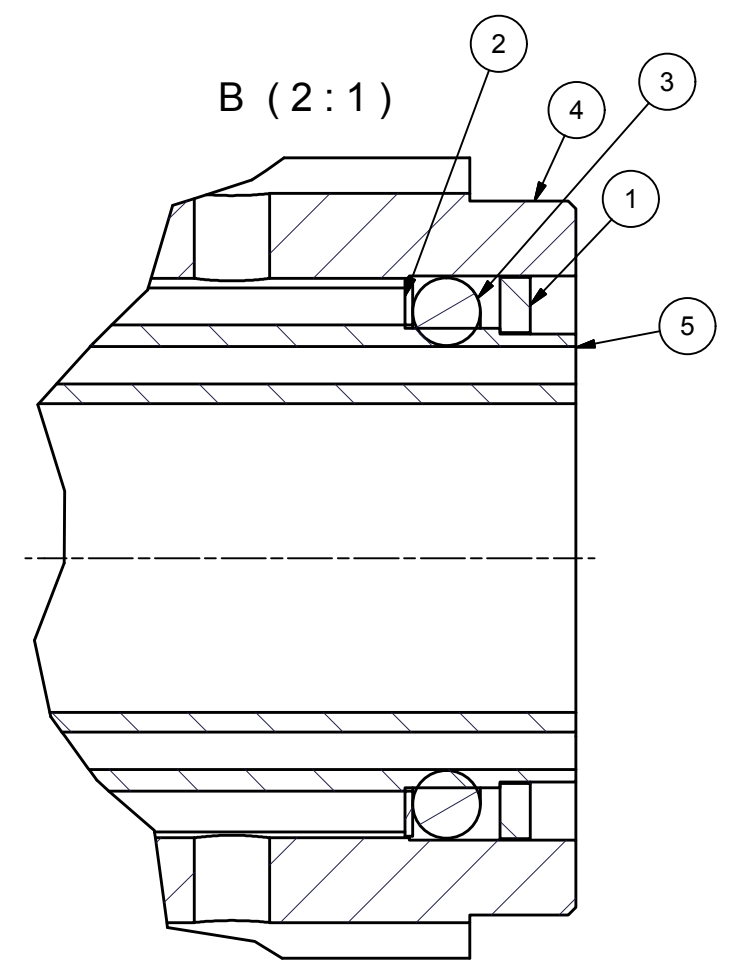
NO	REVISION	BY	DATE
B	Tolerances updated	Ulf	2010-05-17



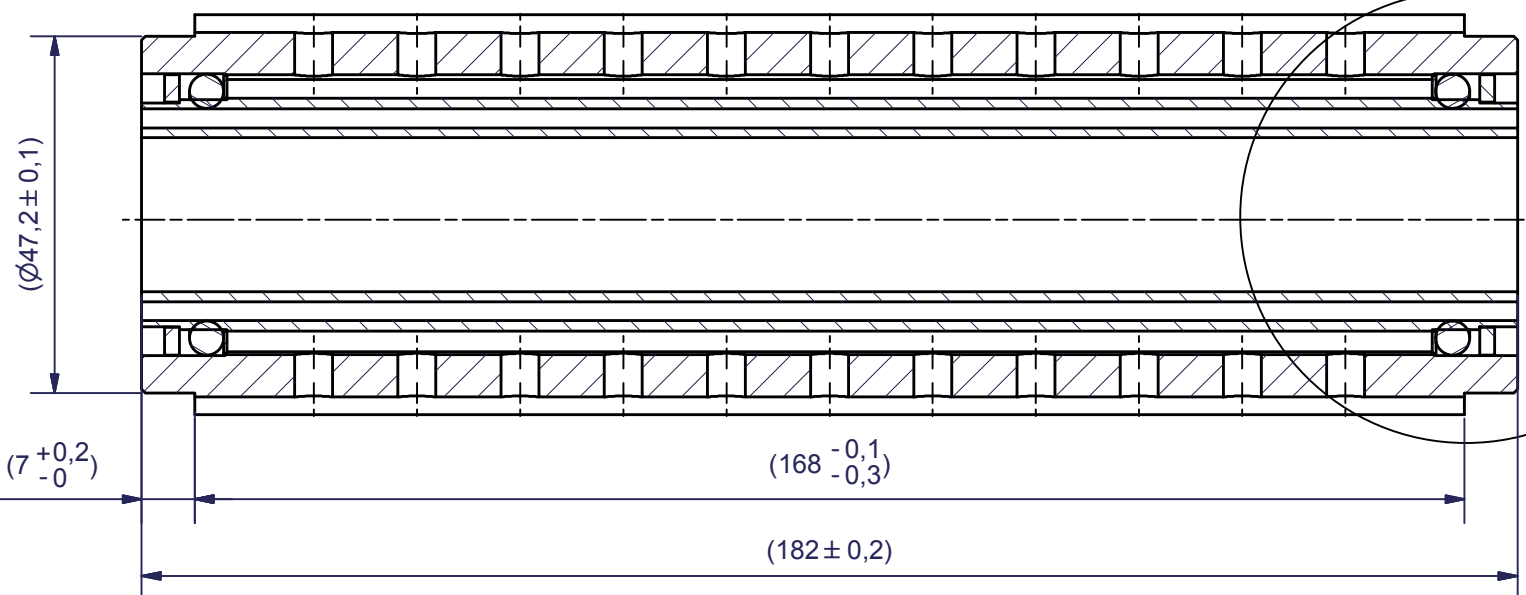
( $\varnothing 53,9 \pm 0,1$ )



A-A (1:1)



B (2:1)



( $\varnothing 47,2 \pm 0,1$ )

( $7^{+0,2}_{-0}$ )

( $168^{-0,1}_{-0,3}$ )

( $182 \pm 0,2$ )

5	1	CORE	CR00248B	D37-182, STANDARD INNER
4	1	CORE	CR00172C	D54-182
3	2	O-RING	SL00061A	$\varnothing 28,1 \times 4,5$ HNBR
2	2	SUPPORT RING	TB00092B	$\varnothing 30,8 / \varnothing 36,8 / 0,5$
1	2	END RING	TB00090D	29,8/37,1/2
ITEM	REQD	TITLE	PART NUMBER	DESCRIPTION

SURFACE UNLESS SPECIFIED ARE 3,2 ✓

TOLERANCE UNLESS SPECIFIED ARE ISO 2768-mK

This is the property of Laminova Production AB, Sweden and must not be copied without our permission, and the contents thereof must not be imparted to a third party or be used for any unauthorized purpose. Contravention will be prosecuted.

CONSTR Tomas  
DRAWN BY mattiasp  
CHECKED RH



TITLE  
**CORE ASSEMBLY**

DESCRIPTION  
D54-182, STANDARD INNER

SCALE 1:1  
DATE 2010-05-17

REVISION B

MATERIAL

DRAWING NO  
**CA00064B**