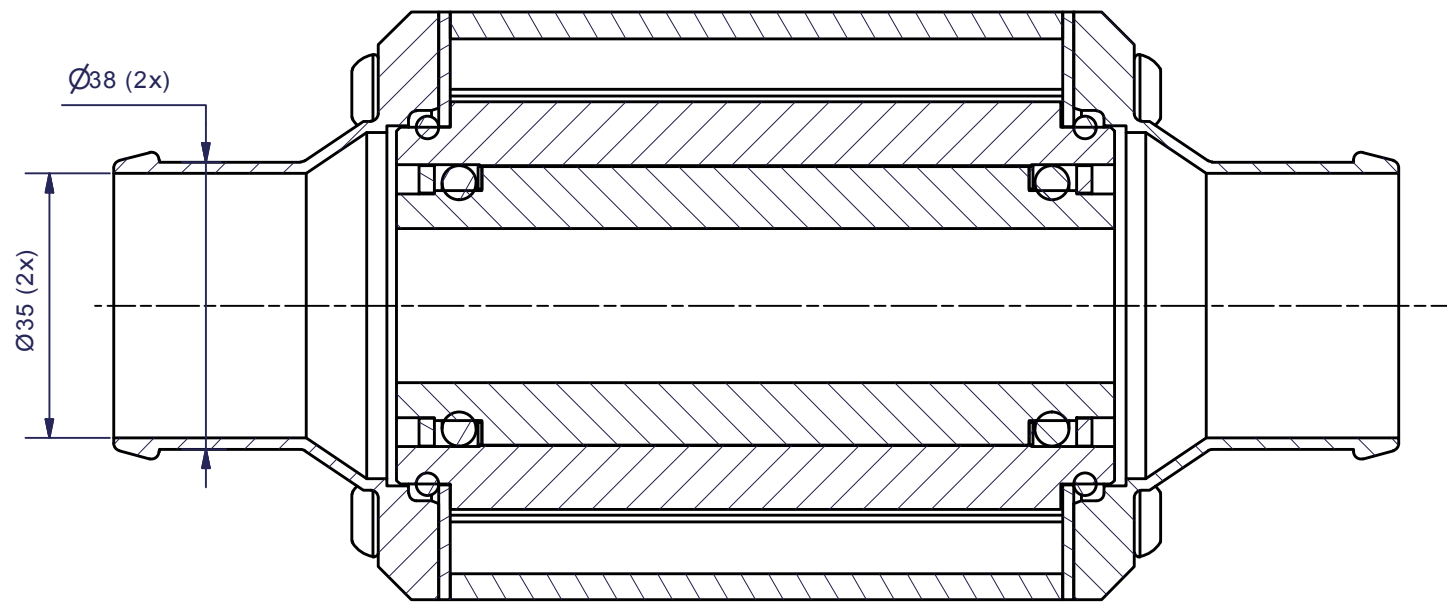
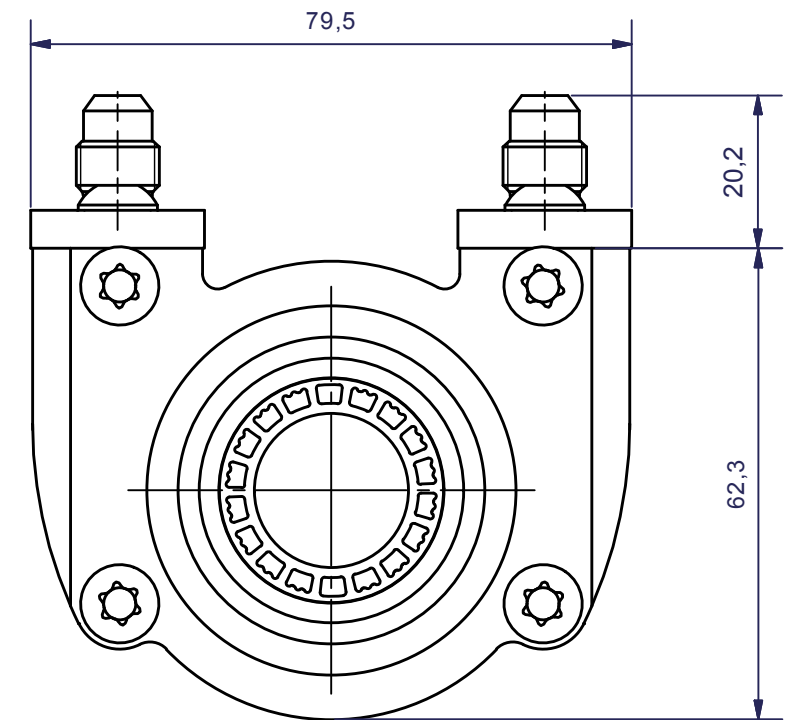
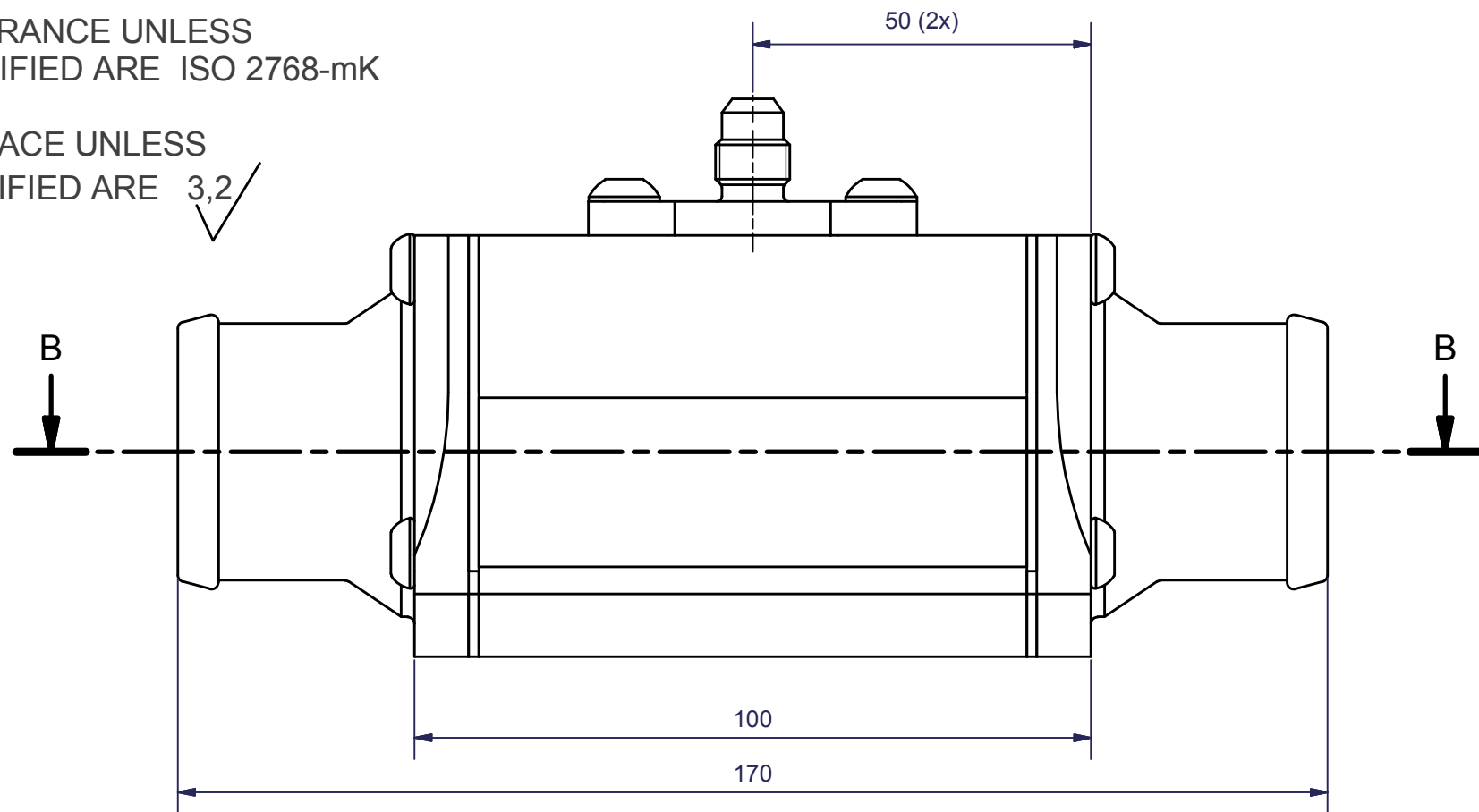
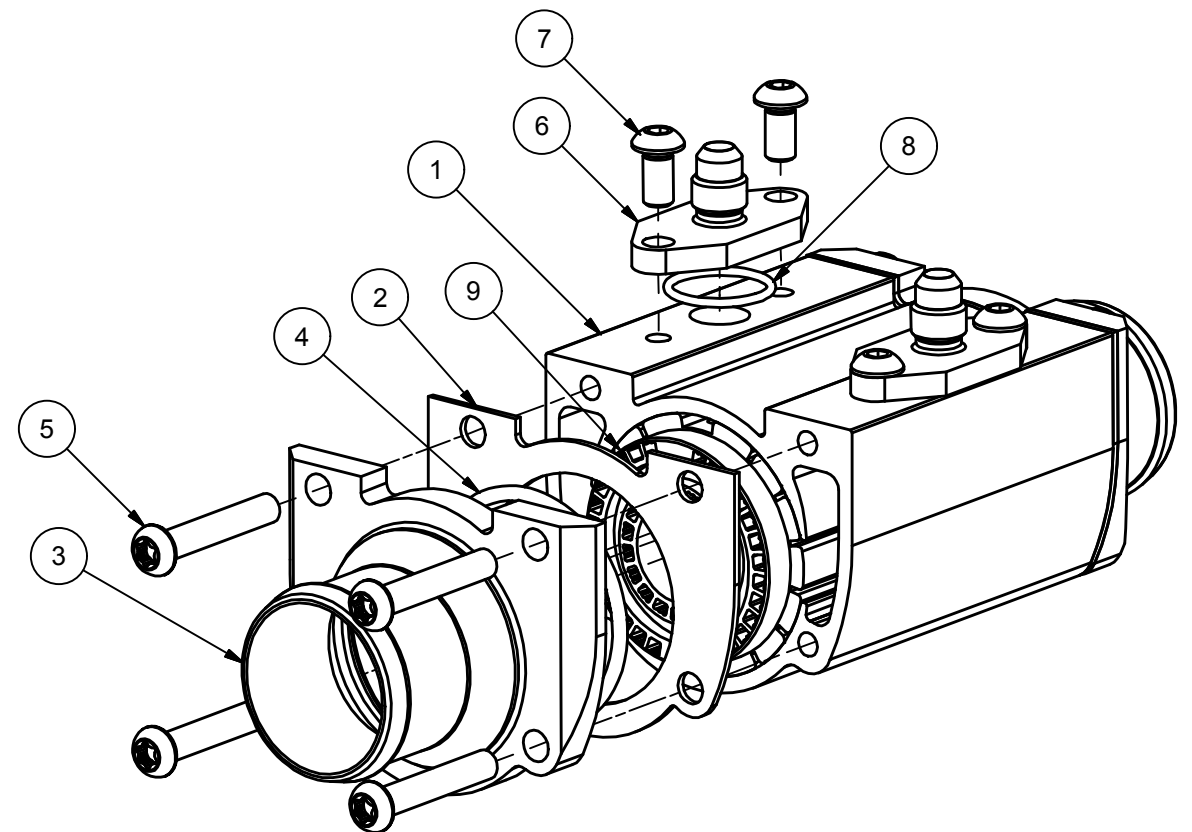


TOLERANCE UNLESS SPECIFIED ARE ISO 2768-mK

SURFACE UNLESS SPECIFIED ARE 3,2



B-B (1:1)



ITEM	REQ	TITLE	PART NUMBER	DESCRIPTION
9	1	CORE	CA00097A	D54-95
8	2	O-RING	SL00039A	18,77x1,78 FPM
7	4	SCREW	TB00135A	BN 6404 KTS M6x12
6	2	OIL CONNECTION	OC00087A	JIC 4
5	8	SCREW	TB00266A	ISO 7380 KTS 8.8 FZB M6x25
4	2	O-RING	SL00084A	44,2x3 HNBR
3	2	WATER CONNECTION	WC00179A	EC54 Ø38
2	2	GASKET	SL00081D	EC54
1	1	HOUSING	HS00174A	EC54-81

<small>This is the property of Laminova Production AB, Sweden and must not be copied, without our permission, and the contents thereof must not be imparted to a third party or be used for any unauthorized purpose. Contravention will be prosecuted.</small>	CONSTR	DRAWN BY PL	CHECKED LÅA	APPROVED	TITLE	SCALE 1:1	DATE 2011-07-04	
						OIL COOLER ECD 54-95	REVISION A	
						DESCRIPTION OC-JIC4, WC Ø38		MATERIAL