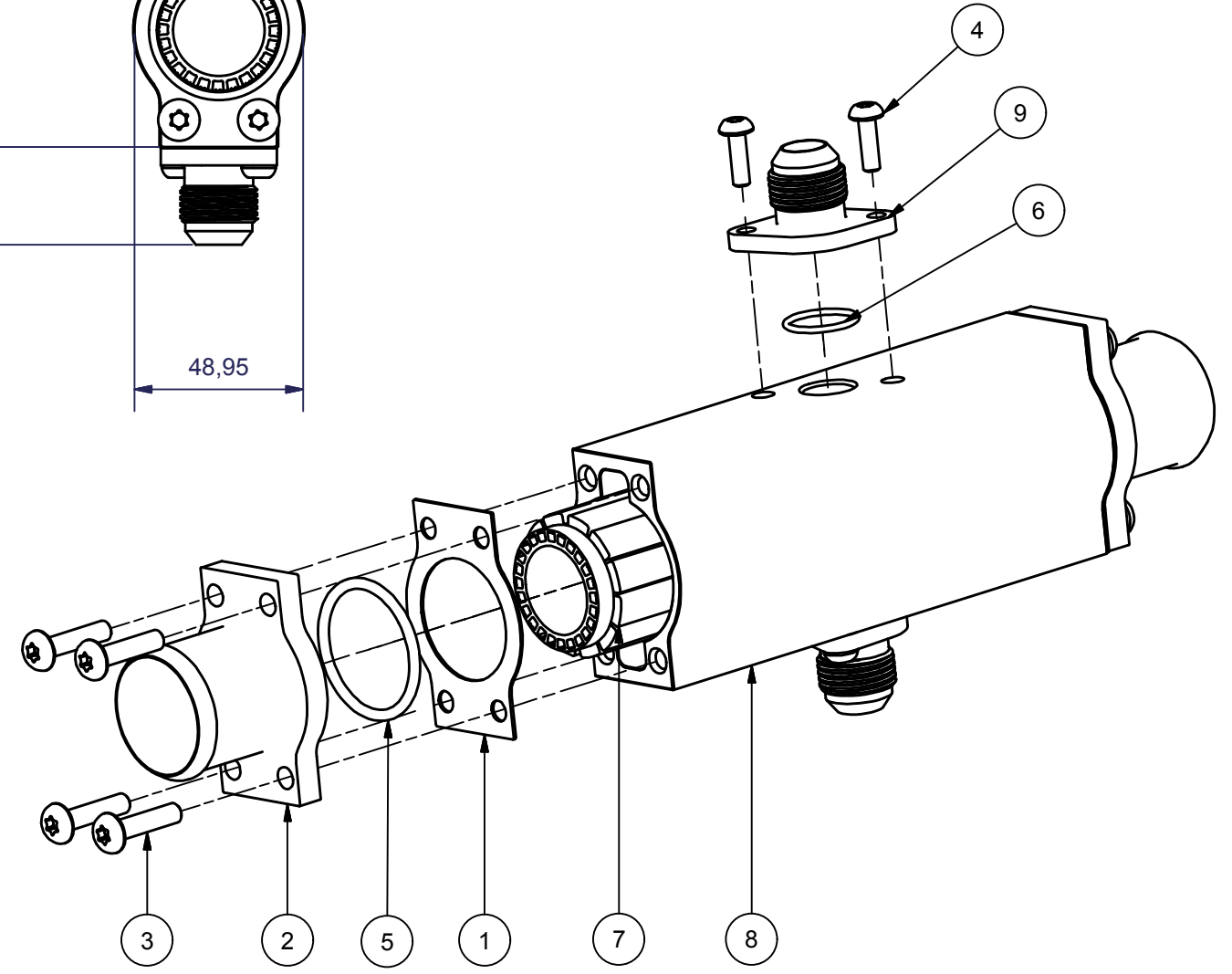
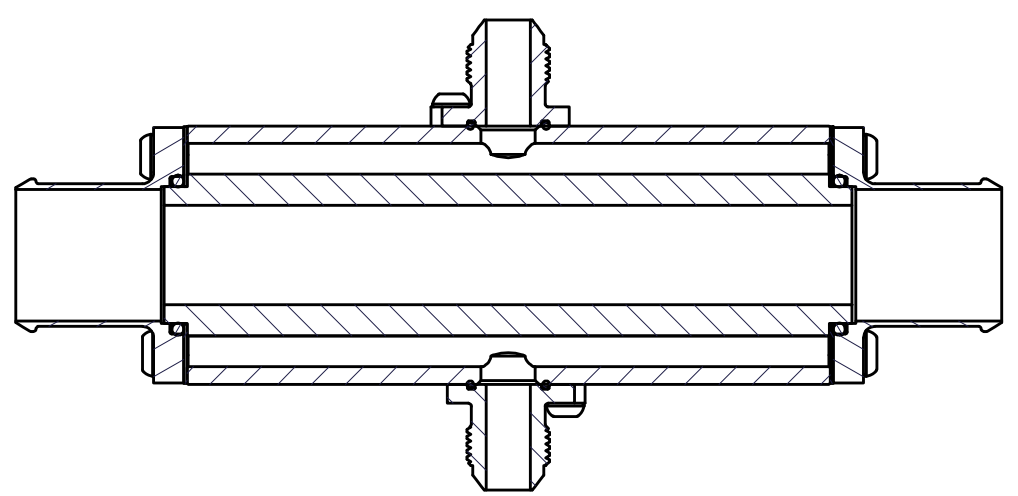


B-B



ITEM	REQ	TITLE	PART NUMBER	DESCRIPTION
9	2	OIL CONNECTION	OC00001A	JIC 10
8	1	HOUSING	HS00003D	C43 L=170,2
7	1	CORE	CR00002	Ø43-182
6	2	O-RING	SL00039A	18,77x1,78 FPM
5	2	O-RING	SL00038A	36,17x3,2 HNBR
4	4	Screw Torx	TB00048A	MRT-TT M5x16
3	8	Screw Torx	TB00043A	MRT-TT M6x25
2	2	WATER CONNECTION	WC00002B	C43/45 ø38
1	2	GASKET	SL00002A	C43/45

This is the property of Laminova Production AB, Sweden and must not be copied, without our permission, and the contents thereof must not be imparted to a third party or be used for any unauthorized purpose. Contravention will be prosecuted.	CONSTR	DRAWN BY	CHECKED	APPROVED	TITLE	SCALE	DATE
		RH			OIL COOLER C43-182	1:2	2011-02-01
						DESCRIPTION	REVISION
OC JIC 10, WC ø38							
						MATERIAL	
						DRAWING NO	SA00474A