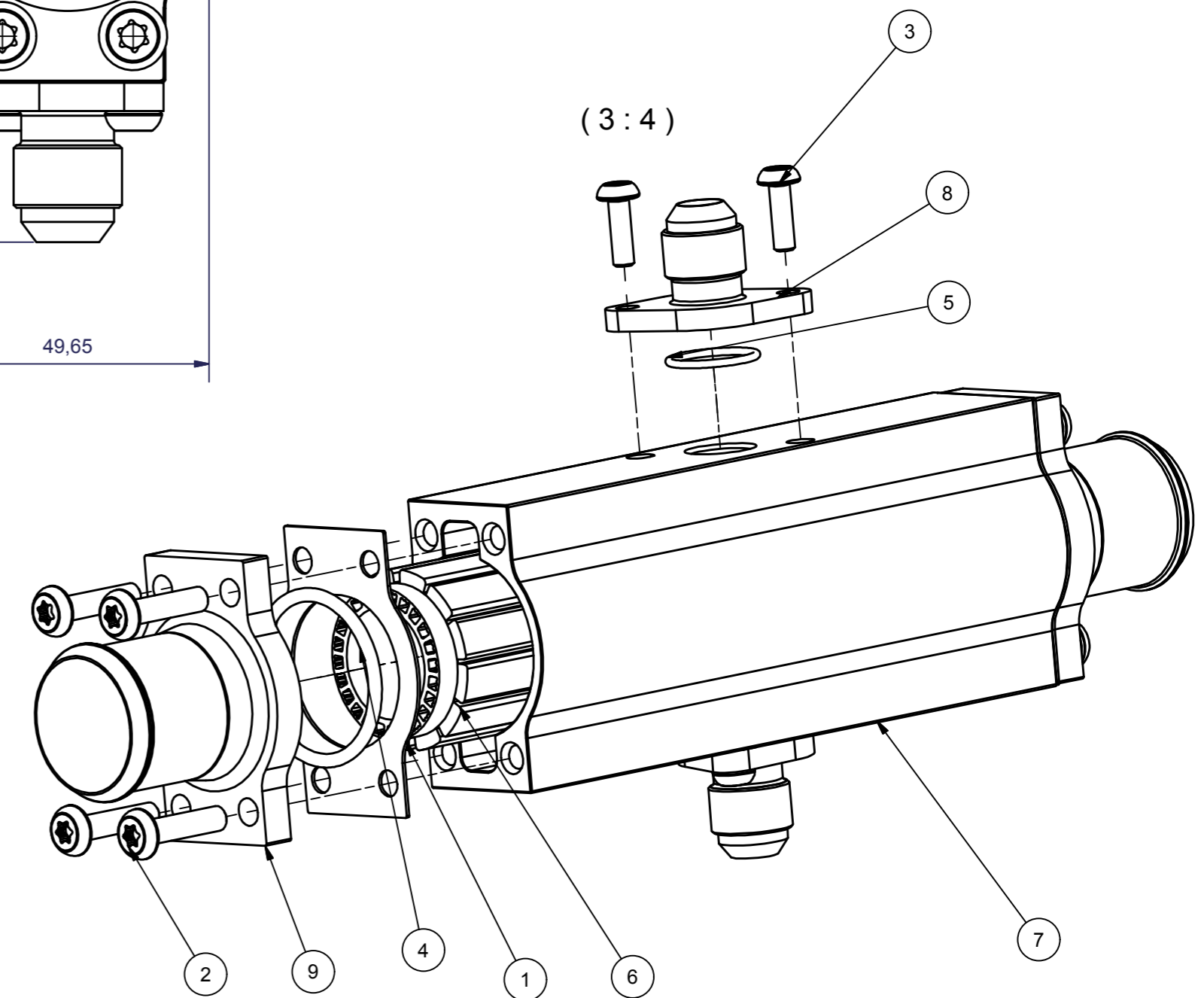
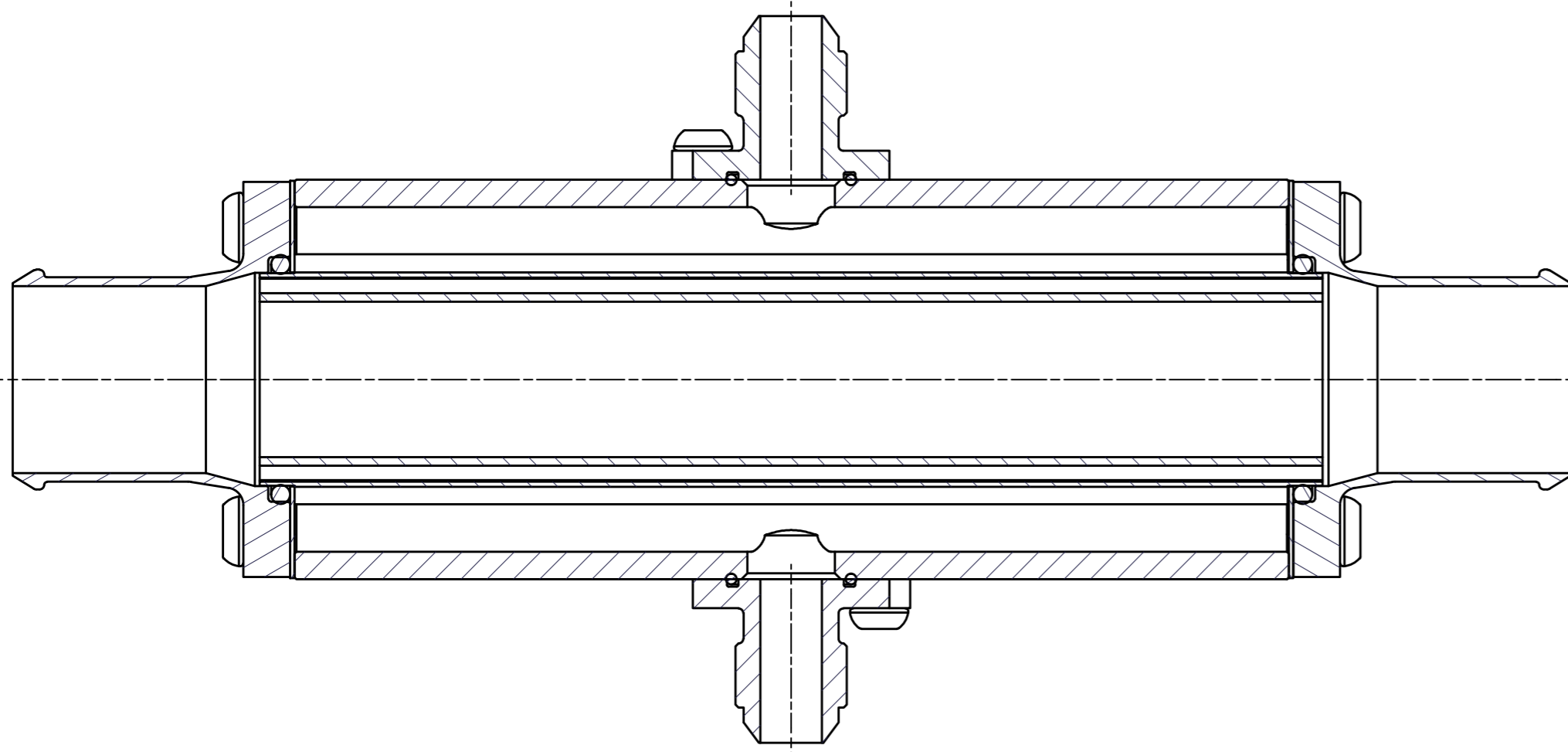


A-A (1:1)



ITEM	REQD	TITLE	PART NUMBER	DESCRIPTION
9	2	WATER CONNECTION	WC00133A	C43/45 ø35
8	2	OIL CONNECTION	OC00017A	JIC 8
7	1	HOUSING	HS00003D	C43 L=170,2
6	1	CORE	CR00002	Ø43-182
5	2	O-RING	SL00039A	18,77x1,78 FPM
4	2	O-RING	SL00038A	36,17x3,2 HNBR
3	4	Screw Torx	TB00048A	MRT-TT M5x16
2	8	Screw Torx	TB00043A	MRT-TT M6x25
1	2	GASKET	SL00002A	C43/45

<small>This is the property of Laminova Production AB. Laminova reserves the right to change the design and specifications of the products without notice. The user is responsible for the correct use of the products. Laminova is not liable for any damage caused by the use of the products.</small>	CONSTR	DRAWN BY	CHECKED	TITLE	SCALE	DATE
	Ulf	Ulf	RH	OIL COOLER C43-182	1:1 A2	2010-02-17
					REVISION	
DESCRIPTION					MATERIAL	
OC JIC 8, WC ø35					DRAWING NO	
					SA00457A	