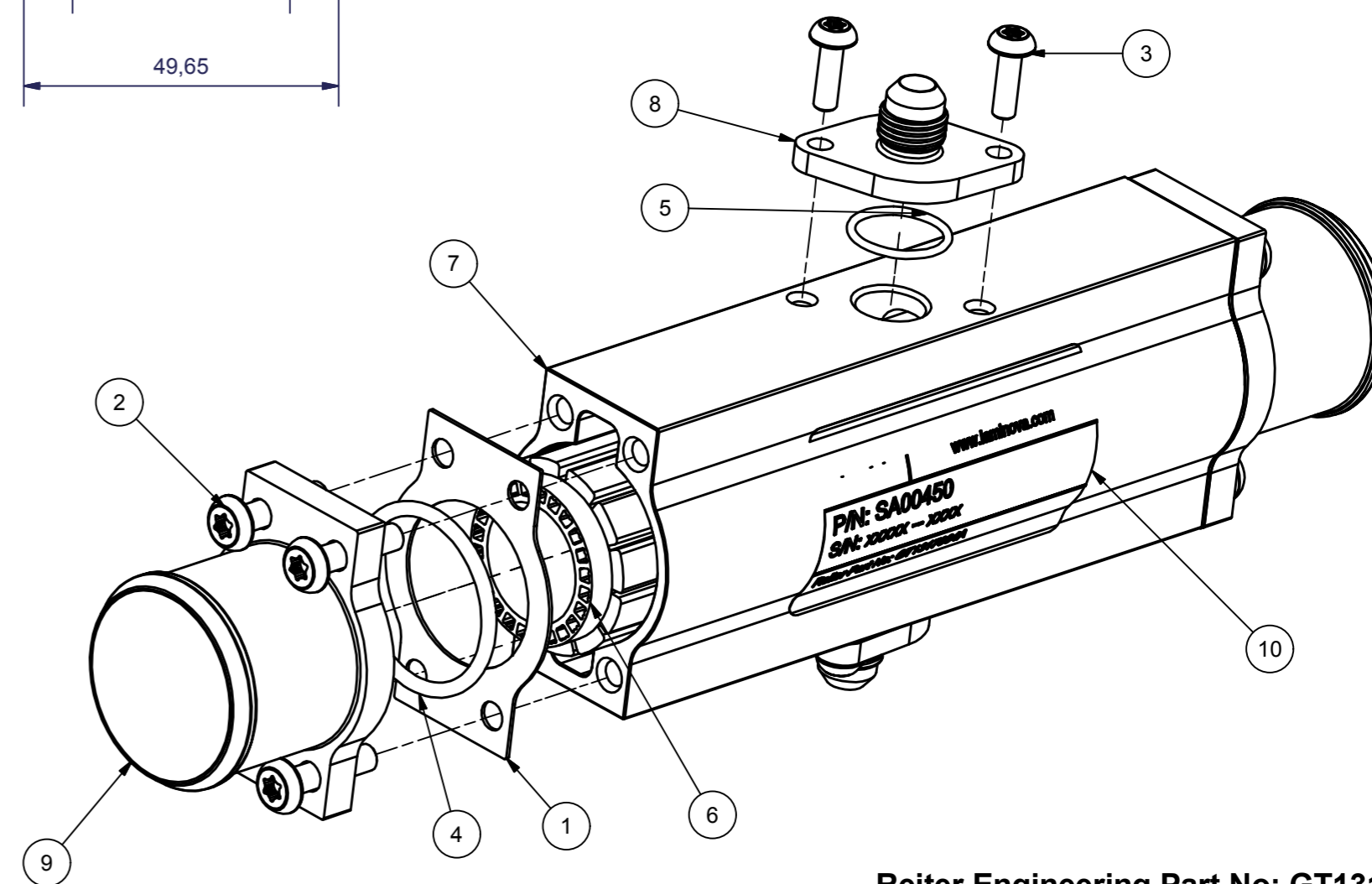
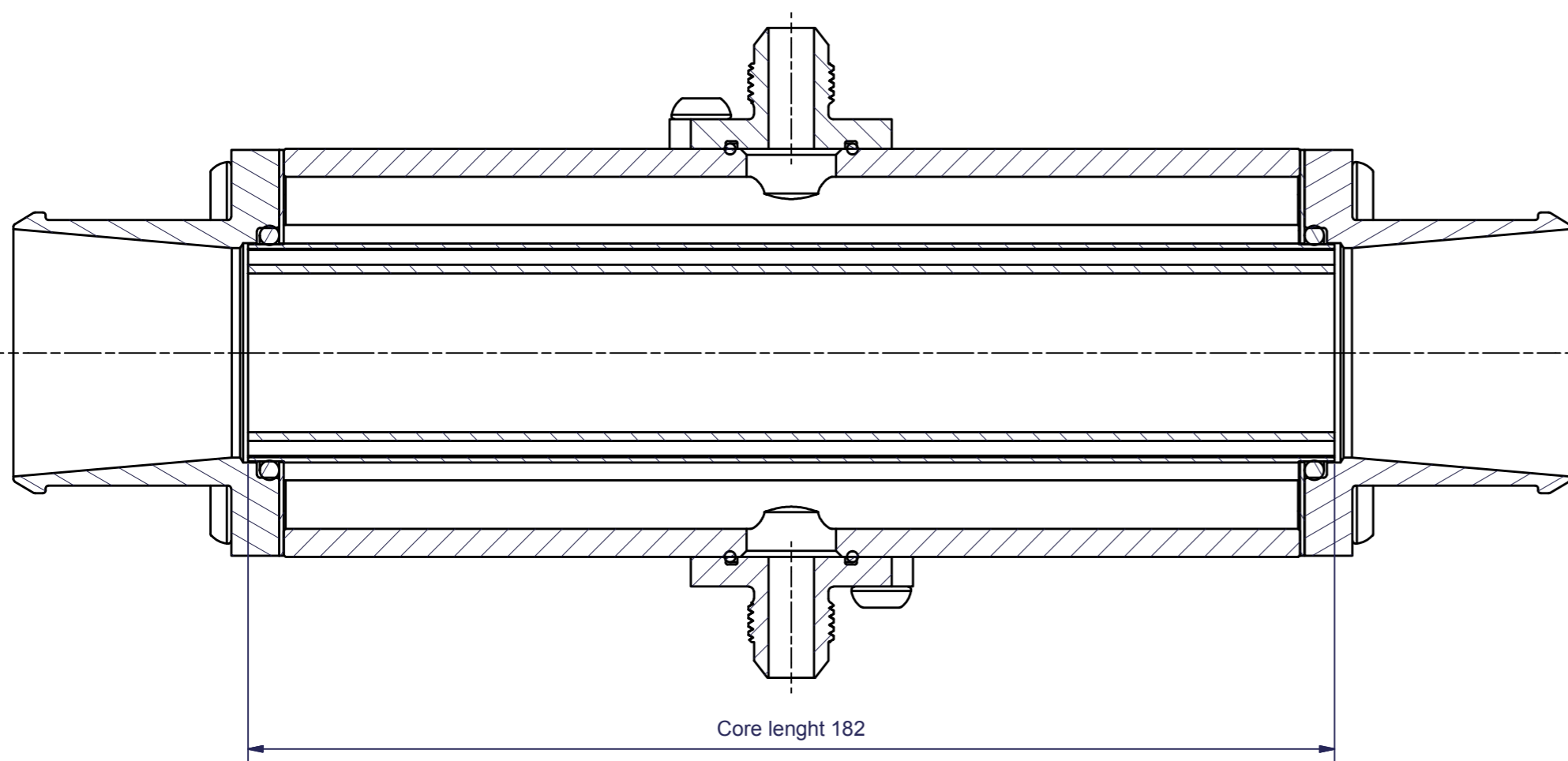
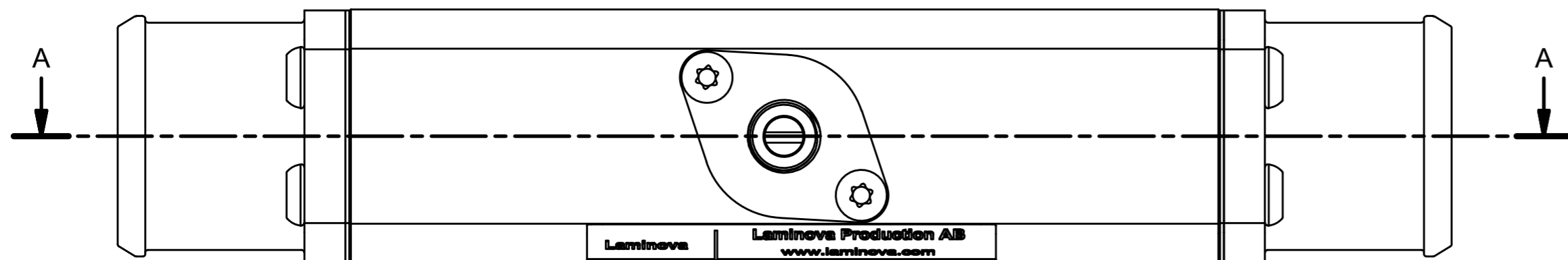
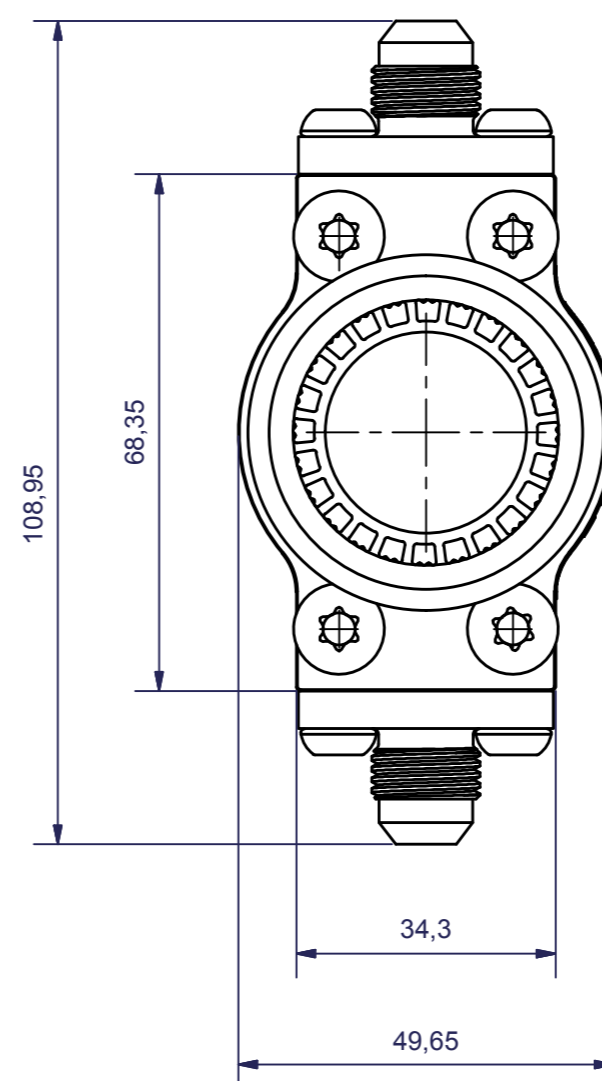
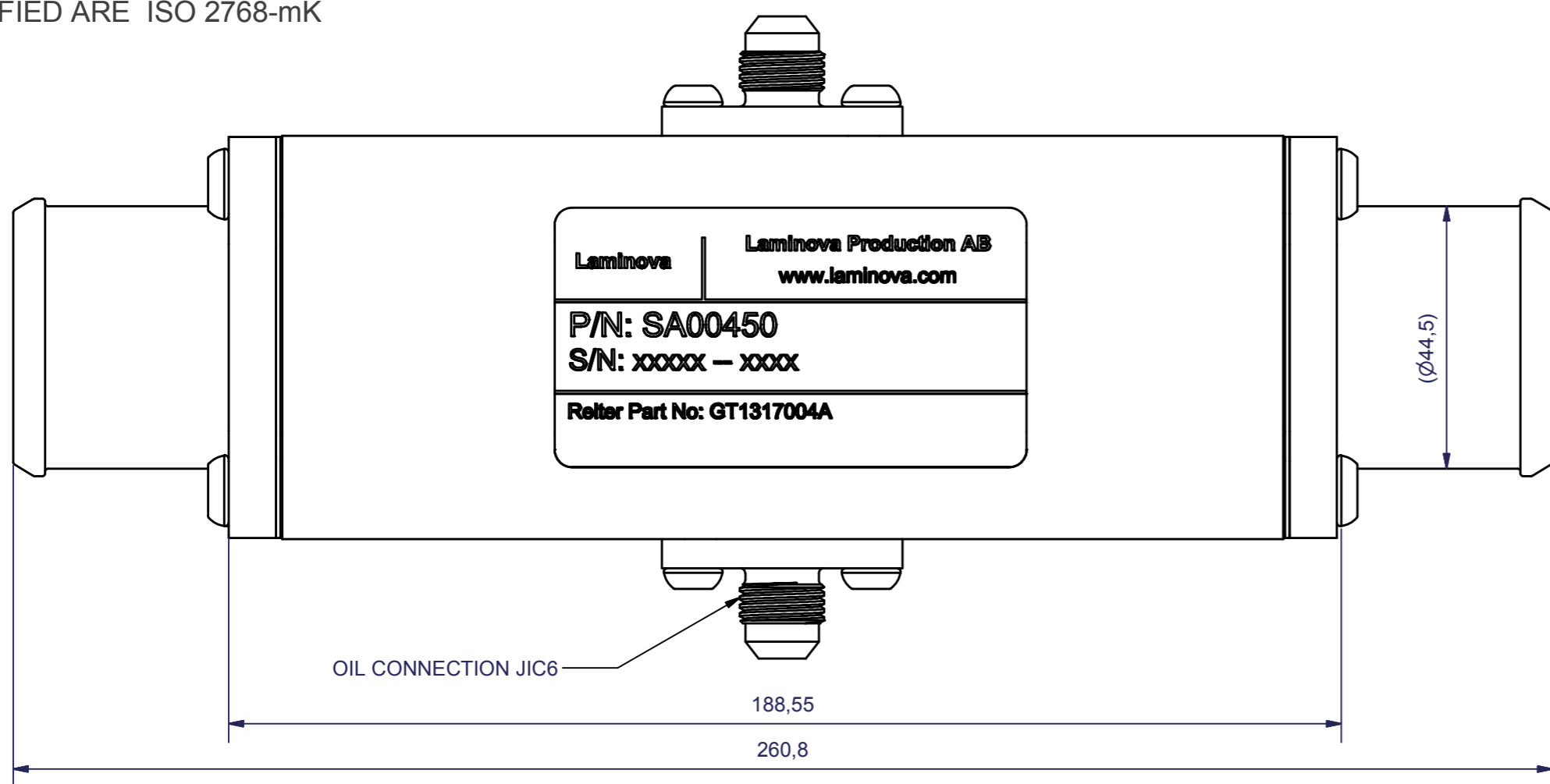


SURFACE UNLESS SPECIFIED ARE 3,2/  
 TOLERANCE UNLESS SPECIFIED ARE ISO 2768-mK



Reiter Engineering Part No: GT1317004A

ITEM	REQD	TITLE	PART NUMBER	DESCRIPTION
10	1	LABEL	TB00277A	SA00450
9	2	WATER CONNECTION	WC00014B	$\varnothing 45$ mm
8	2	OIL CONNECTION	OC00025B	JIC 6
7	1	HOUSING	HS00003D	C43 L=170,2
6	1	CORE	CR00002	$\varnothing 43-182$
5	2	O-RING	SL00039A	18,77x1,78 FPM
4	2	O-RING	SL00038A	36,17x3,2 HNBR
3	4	Screw Torx	TB00048A	MRT-TT M5x16
2	8	Screw Torx	TB00043A	MRT-TT M6x25
1	2	GASKET	SL00002A	C43/45

<small>This is the property of Laminova Production AB. Swedens          copyright laws apply. No part of this document may be          reproduced, stored in a retrieval system, or transmitted in          any form or by any means, electronic, mechanical, photocopying,          recording, or by any information storage and retrieval system,          without prior written permission from Laminova Production AB.</small>	CONSTR	DRAWN BY	CHECKED	TITLE	SCALE	DATE
		Ulf	RH	OIL COOLER C43-182	1:1 A2	2009-12-15
					DESCRIPTION	REVISION
				OC JIC-6, WC $\varnothing 45$	A	
					MATERIAL	DRAWING NO
						SA00450A