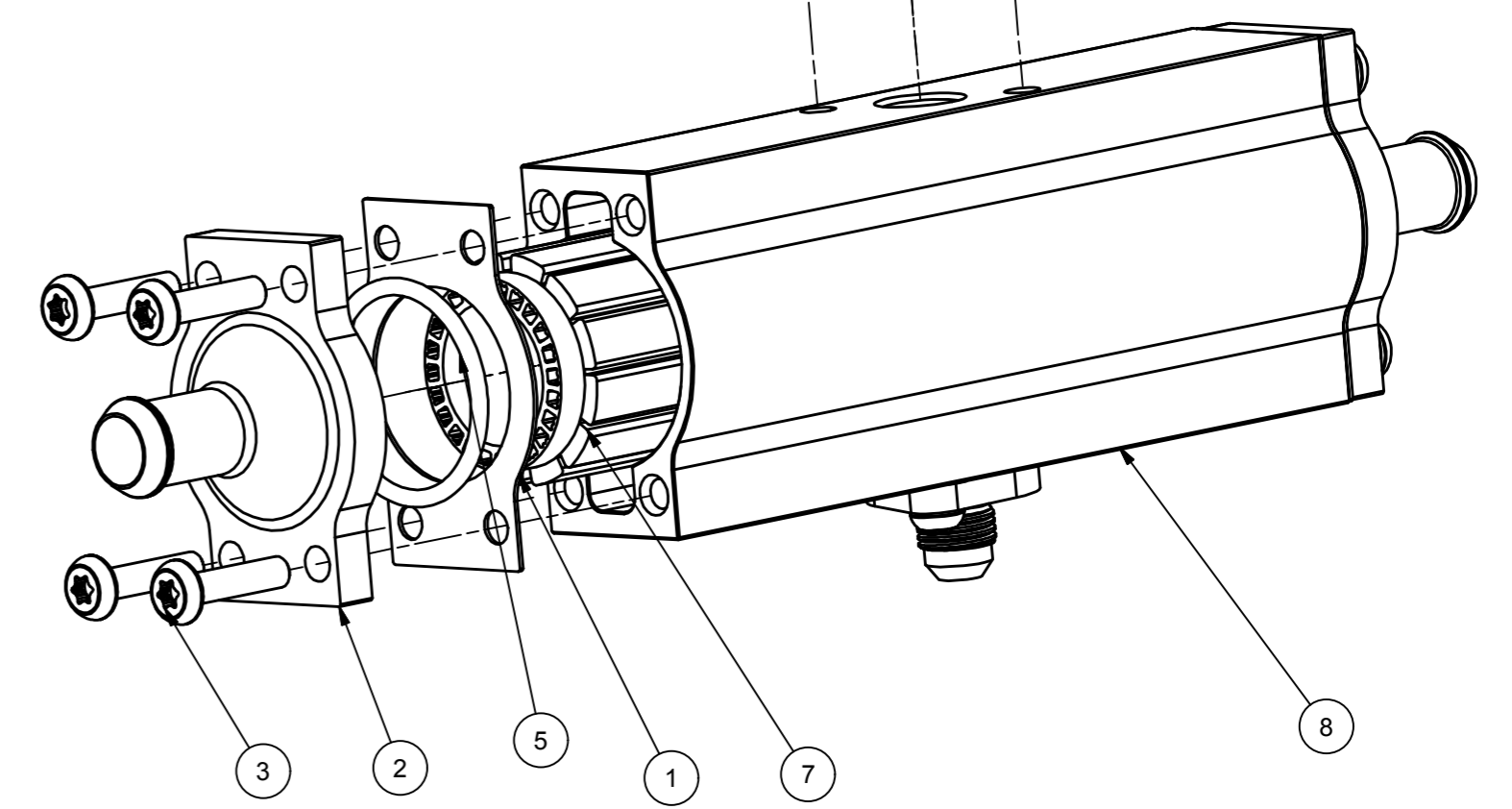
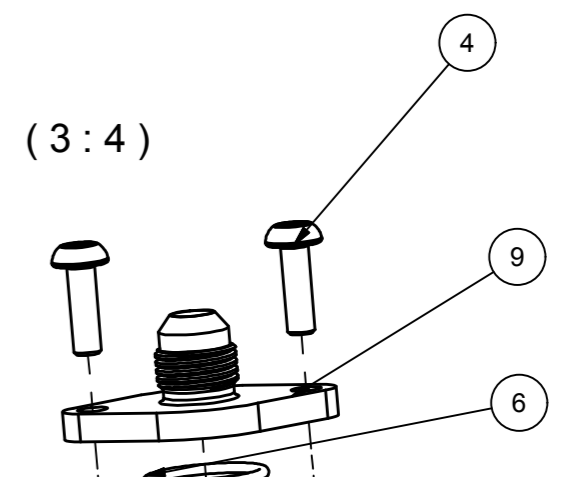
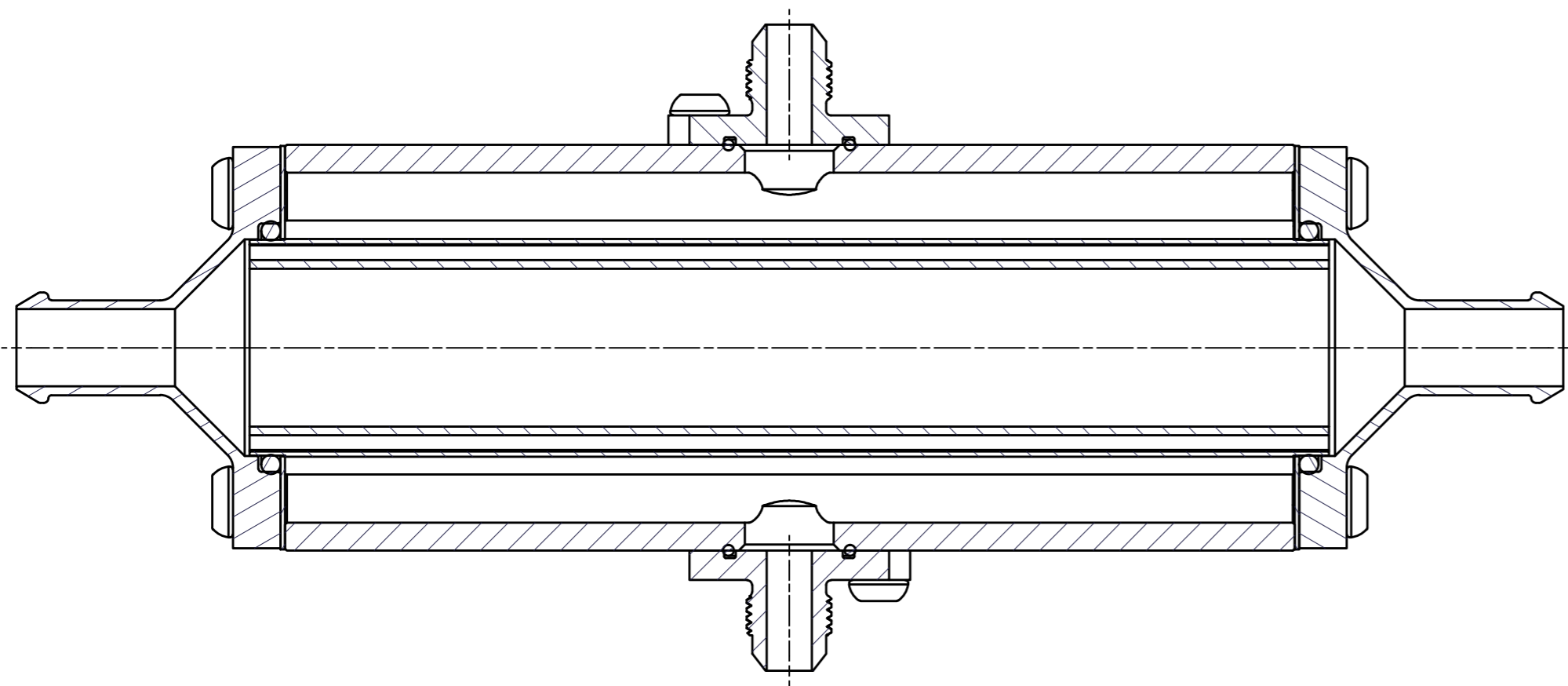


A-A (1:1)



| ITEM | REQD | TITLE            | PART NUMBER | DESCRIPTION    |
|------|------|------------------|-------------|----------------|
| 9    | 2    | OIL CONNECTION   | OC00025B    | JIC 6          |
| 8    | 1    | HOUSING          | HS00003D    | C43 L=170,2    |
| 7    | 1    | CORE             | CR00002     | Ø43-182        |
| 6    | 2    | O-RING           | SL00039A    | 18,77x1,78 FPM |
| 5    | 2    | O-RING           | SL00038A    | 36,17x3,2 HNBR |
| 4    | 4    | Screw Torx       | TB00048A    | MRT-TT M5x16   |
| 3    | 8    | Screw Torx       | TB00043A    | MRT-TT M6x25   |
| 2    | 2    | Water Connection | WC00115A    | C43/45 Ø16     |
| 1    | 2    | GASKET           | SL00002A    | C43/45         |

|   |                   |                     |               |                             |                                 |                    |
|---|-------------------|---------------------|---------------|-----------------------------|---------------------------------|--------------------|
| This is the property of Laminova Production AB. Swedens<br>drawings and technical data are not to be reproduced,<br>copied, stored in a retrieval system or transmitted in<br>any form or by any means, electronic, mechanical,<br>recording, or otherwise, without the prior written<br>consent of Laminova Production AB. | CONSTR<br>Mattias | DRAWN BY<br>mattias | CHECKED<br>RH | TITLE<br>OIL COOLER C43-182 | SCALE<br>1:1 A2                 | DATE<br>2010-03-09 |
|   |                   |                     |               |                             | REVISION                        |                    |
|   |                   |                     |               |                             | DESCRIPTION<br>OC JIC 6, WC Ø16 |                    |
|   |                   |                     |               | DRAWING NO<br>SA00314A      |                                 |                    |