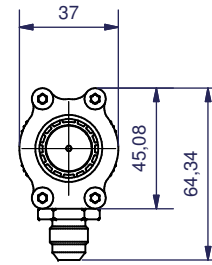
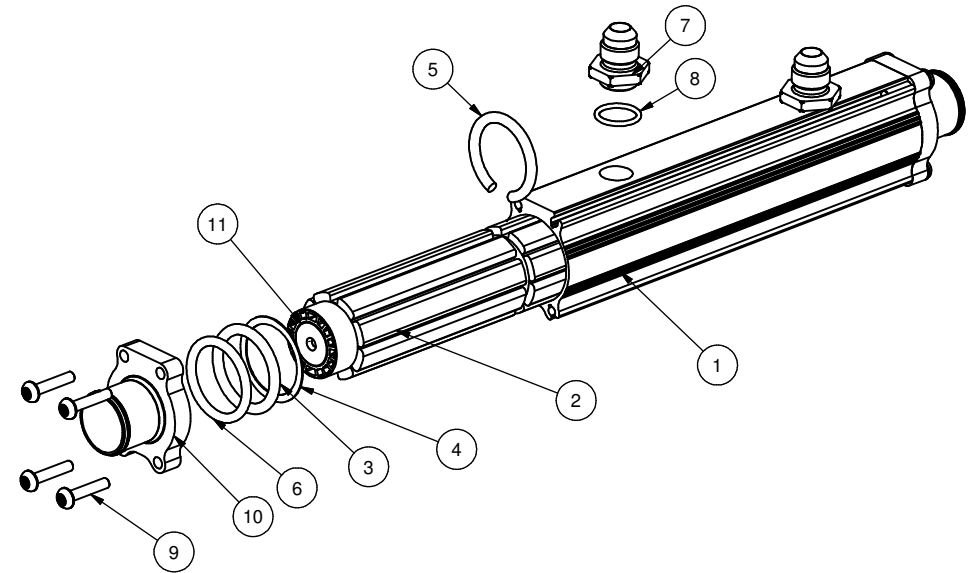
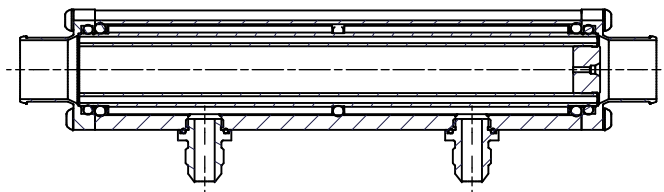


A-A



ITEM	REQD	TITLE	PART NUMBER	DESCRIPTION
11	1	PLUG	TB00068A	For ø34 core
10	2	WATER CONNECTION	WC00158A	S34 ø24
9	8	SCREW TORX	TB00221A	MRT-TT M4x20
8	2	O-RING	SL00065A	ø14x1,78 FPM
7	2	OIL CONNECTION	OC00064A	JIC 6 - M14x1
6	2	O-RING	SL00094A	ø26,57x3,53 HNBR
5	1	O-RING	SL00093A	Divider ø27x4 FPM
4	2	SUPPORT RING	TB00205A	34 (ø27,8xø33,5x0,5)
3	2	O-RING	SL00066A	ø27x4 FPM
2	1	CORE	CR00178A	ø34-194
1	1	HOUSING	HS00151B	S34 L=182,2

This is the property of Laminova Production AB. Swedens drawings and technical data are not to be reproduced, copied, stored in a retrieval system, or transmitted in any form or by any means, electronic, mechanical, photocopying, recording, or by any information storage and retrieval system, without the prior written permission of Laminova Production AB. Con- version will be prosecuted.	CONSTR	DRAWN BY	CHECKED	TITLE	SCALE	DATE	
		mattias		OIL COOLER	1:2 A3	2006-02-02	
					DESCRIPTION		
					S34-194		
					DRAWING NO		
					SA00264A		