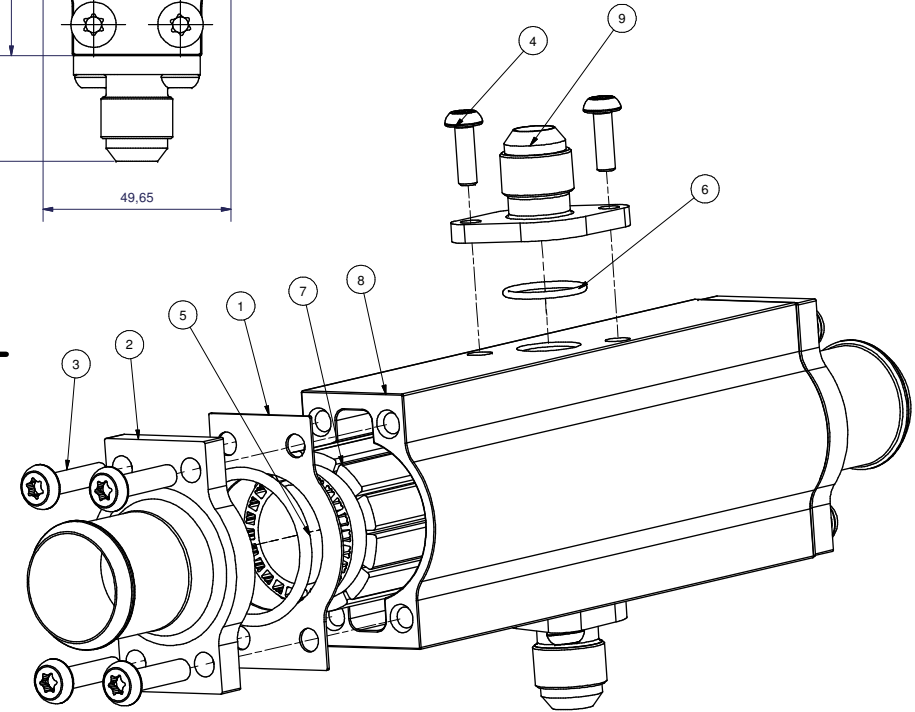
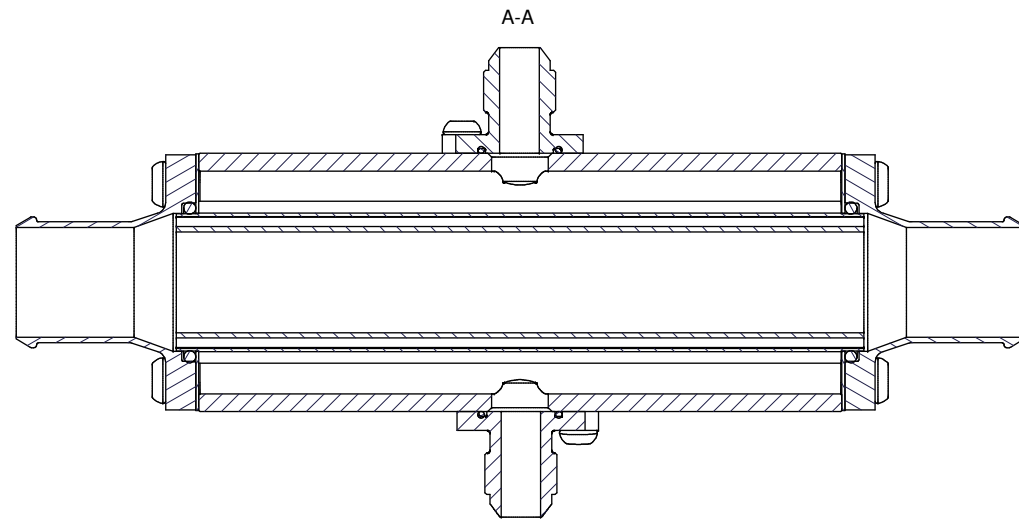
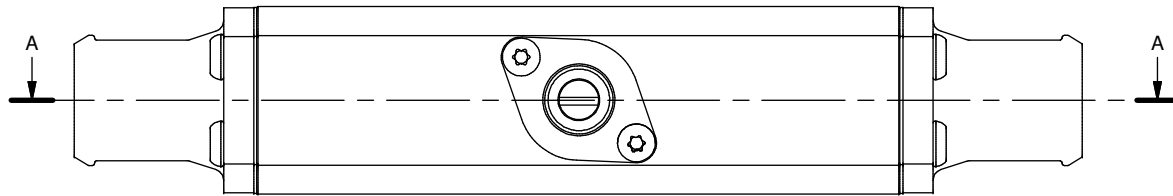


OIL CONNECTION JIC 8



9	2	OIL CONNECTION	OC00017A	JIC 8
8	1	HOUSING	HS00003D	C43 L=170,2
7	1	CORE ø43 L=182	CR00002A	
6	2	O-RING	SL00039A	18,77x1,78 FPM
5	2	O-RING	SL00038A	36,17x3,2 HNBR
4	4	Screw Torx	TB00048A	MRT-TT M5x16
3	8	Screw Torx	TB00043A	MRT-TT M6x25
2	2	WATER CONNECTION	WC00031B	C43/45 ø32
1	2	GASKET	SL00002A	C43/45

ITEM	REQD	TITLE	PART NUMBER	DESCRIPTION	
CONSTR	DRAWN BY	CHECKED	TITLE	SCALE	DATE
	Mattias		OIL COOLER C43-182	1:1	2006-02-20
			DESCRIPTION	MATERIAL	
			OC JIC 8, WC ø32		
				DRAWING NO	
				SA00250A	