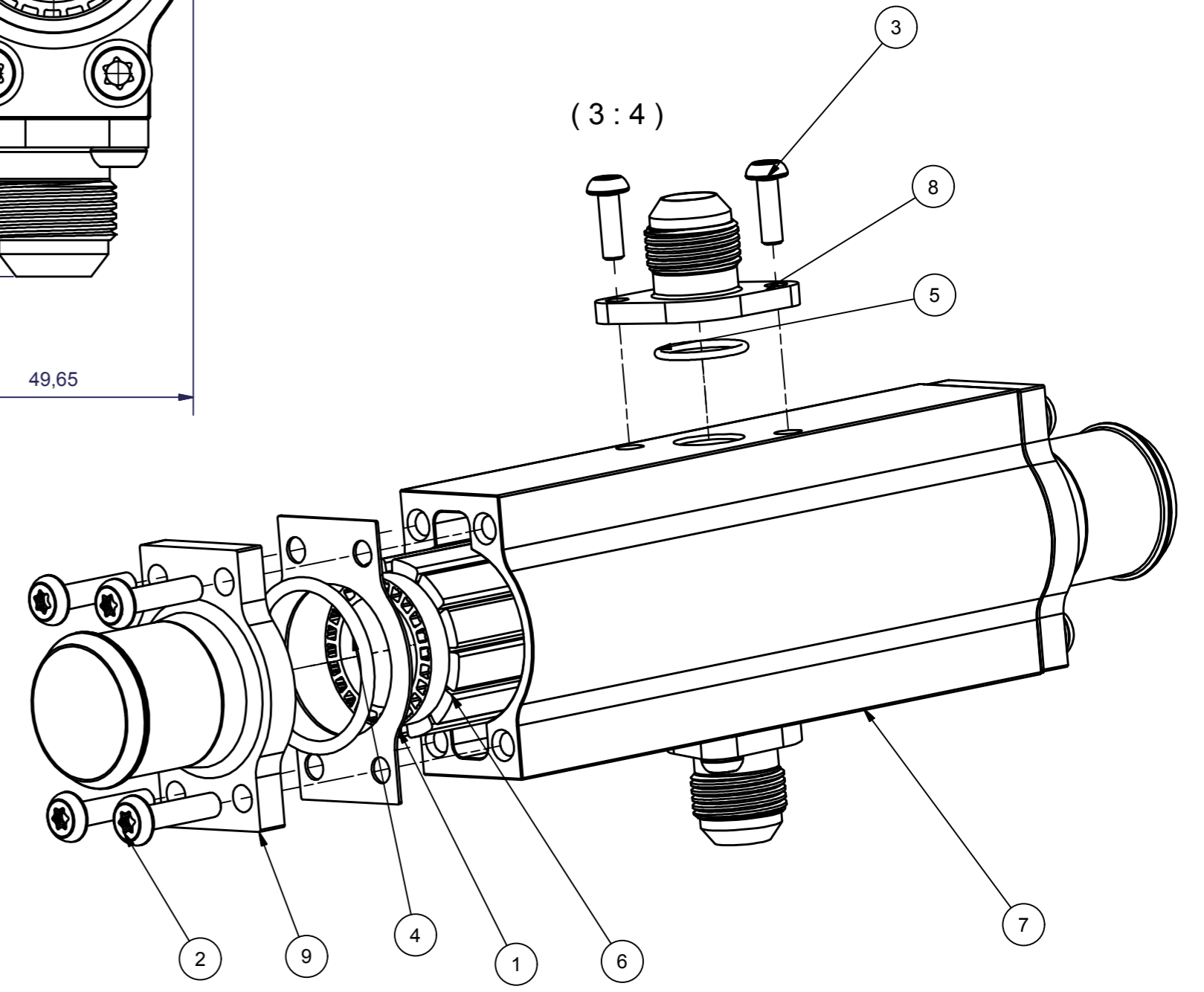
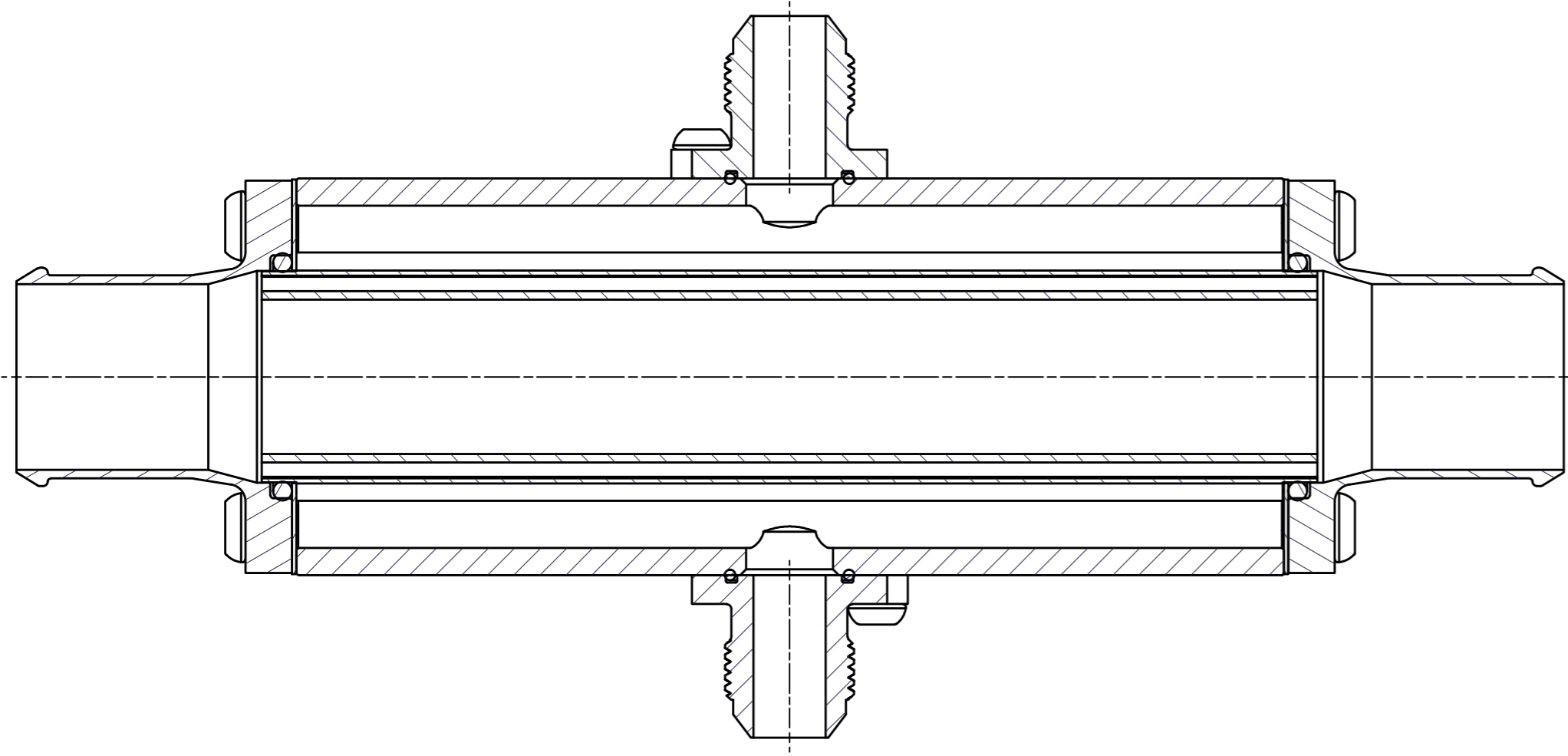


A-A (1:1)



ITEM	REQD	TITLE	PART NUMBER	DESCRIPTION
9	2	WATER CONNECTION	WC00133A	C43/45 ø35
8	2	OIL CONNECTION	OC00001A	JIC 10
7	1	HOUSING	HS00003D	C43 L=170.2
6	1	CORE	CR00002	Ø43-182
5	2	O-RING	SL00039A	18,77x1,78 FPM
4	2	O-RING	SL00038A	36,17x3,2 HNBR
3	4	Screw Torx	TB00048A	MRT-TT M5x16
2	8	Screw Torx	TB00043A	MRT-TT M6x25
1	2	GASKET	SL00002A	C43/45

<small>This is the property of Laminova Production s.p.a. - Slovenia. All rights reserved. No part of this document may be reproduced, stored in a retrieval system, or transmitted in any form or by any means, electronic, mechanical, photocopying, recording, or by any information storage and retrieval system, without prior written permission from Laminova Production s.p.a.</small>	CONSTR	DRAWN BY	CHECKED	TITLE	SCALE	DATE
	Uif	Uif	RH	OIL COOLER C43-182	1:1 A2	2010-02-17
					DESCRIPTION	MATERIAL
				OC JIC 10, WC ø35	DRAWING NO SA00220A	