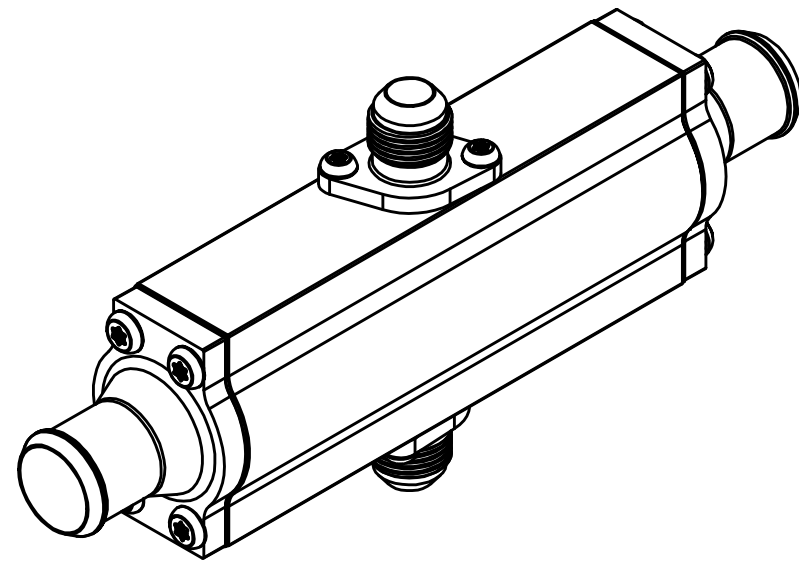
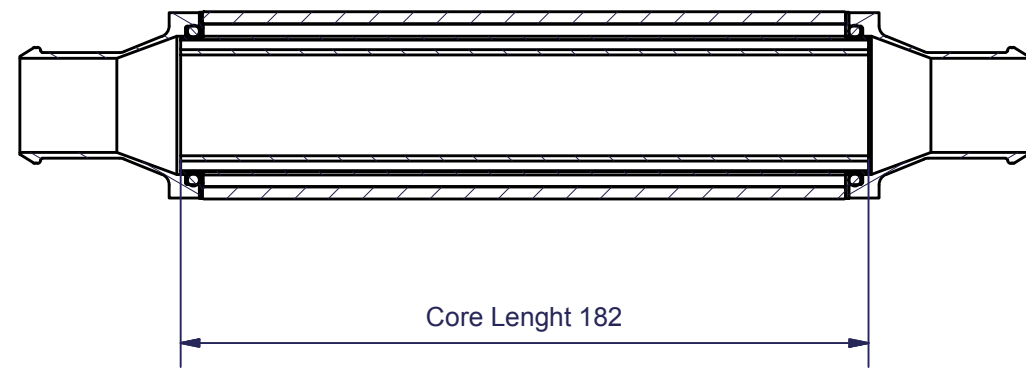



A-A (1:2)



9	2	WATER CONNECTION	WC00029C	C43/45 ø28
8	2	OIL CONNECTION	OC00001A	JIC 10
7	1	HOUSING	HS00003D	C43 L=170,2
6	1	CORE	CR00002	Ø43-182
5	2	O-RING	SL00039A	18,77x1,78 FPM
4	2	O-RING	SL00038A	36,17x3,2 HNBR
3	4	Screw Torx	TB00048A	MRT-TT M5x16
2	8	Screw Torx	TB00043A	MRT-TT M6x25
1	2	GASKET	SL00002A	C43/45
ITEM	REQ	TITLE	PART NUMBER	DESCRIPTION

This is the property of Laminova Production AB, Sweden and must not be copied, without our permission, and the contents thereof must not be imparted to a third party or be used for any unauthorized purpose. Contravention will be prosecuted.	CONSTR	DRAWN BY	CHECKED	APPROVED	TITLE	SCALE	DATE
		Robert	RH			OIL COOLER C43-182	1:2
						DESCRIPTION	REVISION
OC JIC 10, WC ø28							MATERIAL
						DRAWING NO	
						SA00199A	