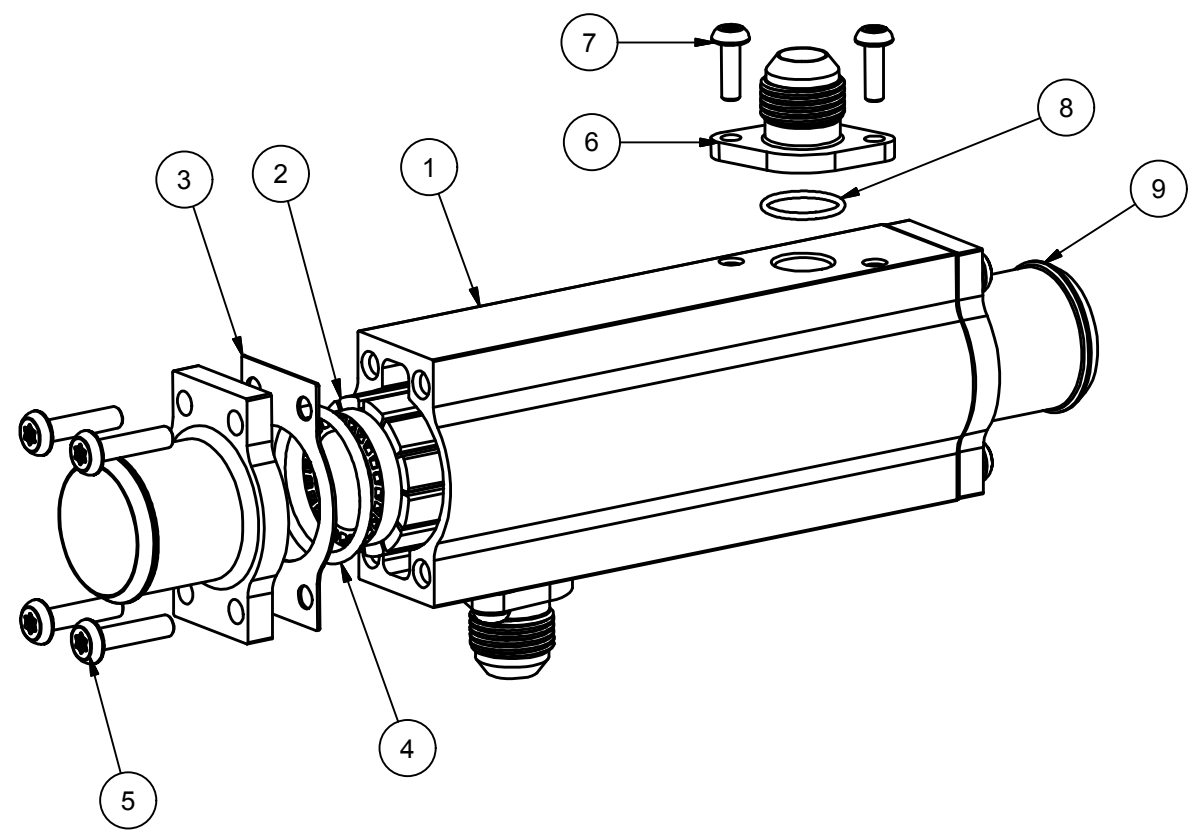
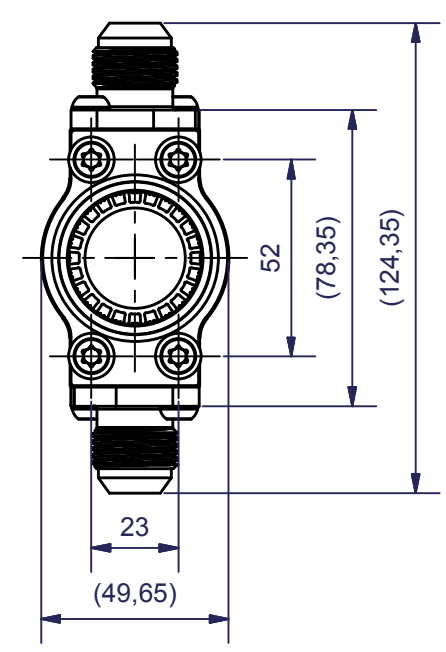
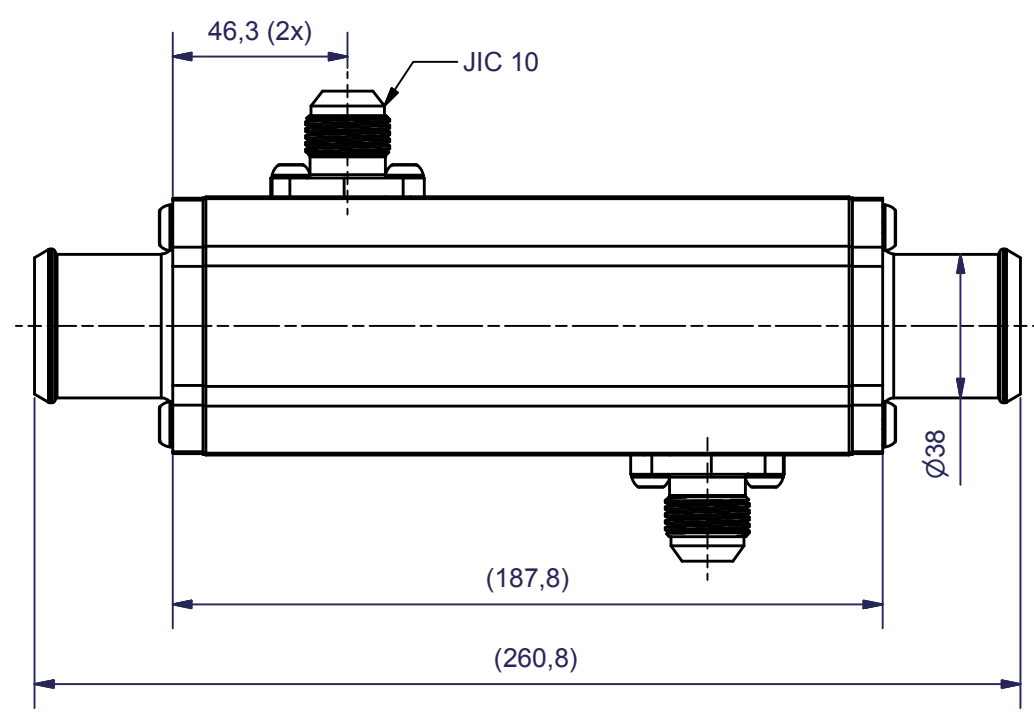

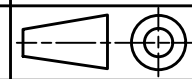


NO	REVISION	BY	DATE
-	OC00044 and WC00116 replaced	UL	2009-01-13

TOLERANCE UNLESS SPECIFIED ARE ISO 2768-mK



9	2	WATER CONNECTION	WC00002B	C43/45 ø38
8	2	O-RING	SL00039A	18,77x1,78 FPM
7	4	Screw Torx	TB00048A	MRT-TT M5x16
6	2	OIL CONNECTION	OC00001A	JIC 10
5	8	Screw Torx	TB00043A	MRT-TT M6x25
4	2	O-RING	SL00038A	36,17x3,2 HNBR
3	2	GASKET	SL00002A	C43/45
2	1	CORE	CR00002	Ø43-182
1	1	HOUSING	HS00062C	C43-182
ITEM	REQ	TITLE	PART NUMBER	DESCRIPTION

This is the property of Laminova Production AB, Sweden and must not be copied without our permission, and the contents thereof must not be imparted to a third party or be used for any unauthorized purpose. Contravention will be prosecuted.	CONSTR	DRAWN BY	CHECKED	TITLE	SCALE	DATE
	Tomas	UL	RH		OIL COOLER	1:2
					DESCRIPTION	REVISION
C43-182 Special						
					MATERIAL	
					DRAWING NO	
					SA00159A	